

# Product Information

Control No. : ARP-474600-G 1

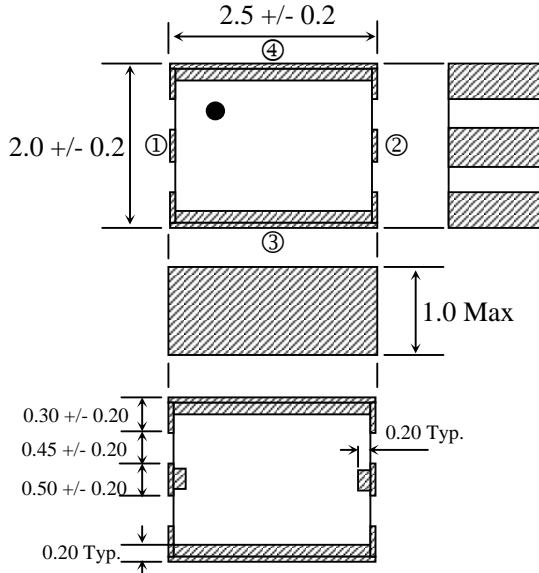
Issued on April 13, 2009

## Application : 2.45GHz BPF for Bluetooth & Wireless LAN

1. Type No.  
MDR746F - T

RoHS Compliant Parts & Lead Free

2. Dimension (Unit : mm)



Terminal	
①	Input
②	Output
③	GND
④	GND

3. Electrical characteristics

Pass band	Specification	Typical	Unit	Remark
fc (Center frequency)	2450	-	MHz	
Pass band frequency	2400-2500	-	MHz	
Nominal impedance	50	-	ohm	
Insertion Loss at 25degC.	1.2 Max.	0.93	dB	
Insertion Loss at -40 to +85degC.	1.5 Max.	-	dB	
VSWR in BW	2.0 Max.	1.18	-	
Ripple	0.6 Max.	0.17	dB	

Attenuation	Specification	Typical	Unit	Remark
880 MHz - 915 MHz	30 Min.	36.59	dB	
1710 MHz - 1785 MHz	30 Min.	33.49	dB	
1850 MHz - 1910 MHz	35 Min.	38.30	dB	
4800 MHz - 5000 MHz	25 Min.	30.72	dB	2*f
7200 MHz - 7500 MHz	22 Min.	28.00	dB	3*f(Reference)

4. Note

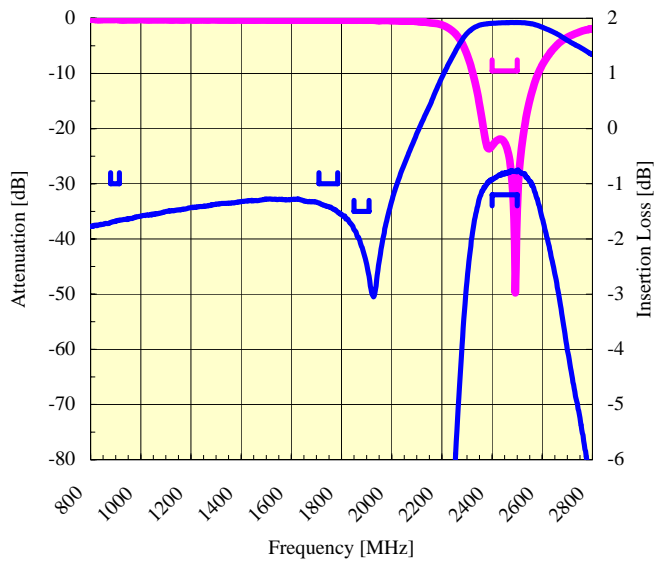
- 4.1 Operating Temperature Range : -40 to +85 deg.C  
 4.2 Storage Temperature Range before soldering in taping package : -20 to +35 deg.C  
 4.3 Minimum Ordering Quantity : 2,000 pcs (per reel, per bag)

Approved by	Confirmed by	Raised by
T.Hirai	T.Haketa	M.Urano

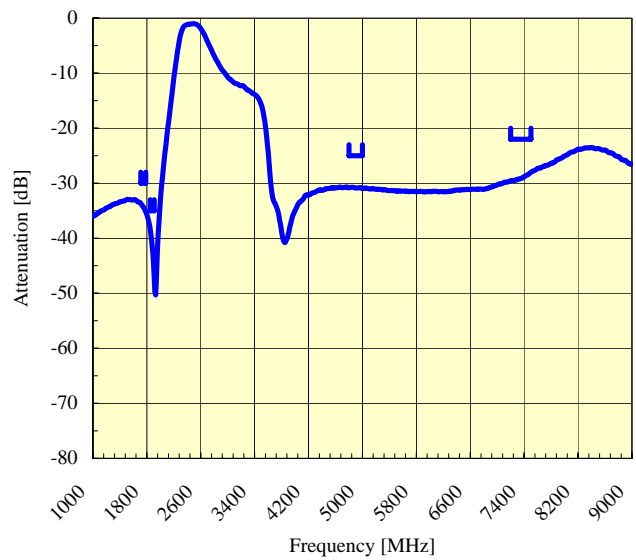
SOSHIN ELECTRIC CO., LTD

## 5.Representative characteristics

Pass Band Frequency Response

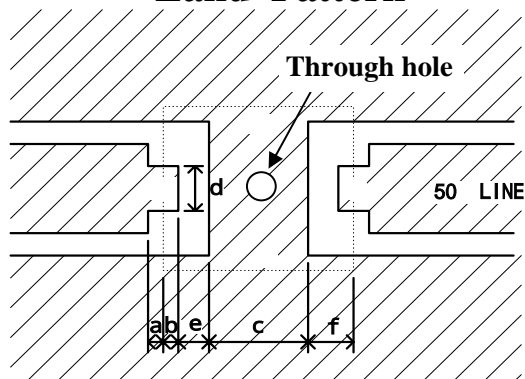


Broad Band Frequency Response

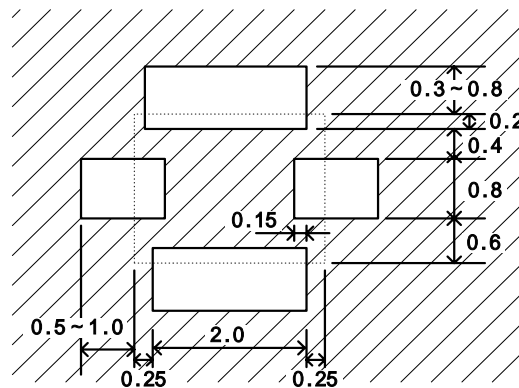


## 6.Recommendation Land Pattern (Unit:mm)

\*Land Pattern



\*Resist Pattern



Terminal	
	Input
	Output
	GND

a=0.2  
 b=0.2  
 c=1.3  
 d=0.6  
 e=0.4  
 f=0.6  
 (Unit : mm)