

Product Information

Control No. : ARP-4014800-N 1

Issued on August 17, 2021

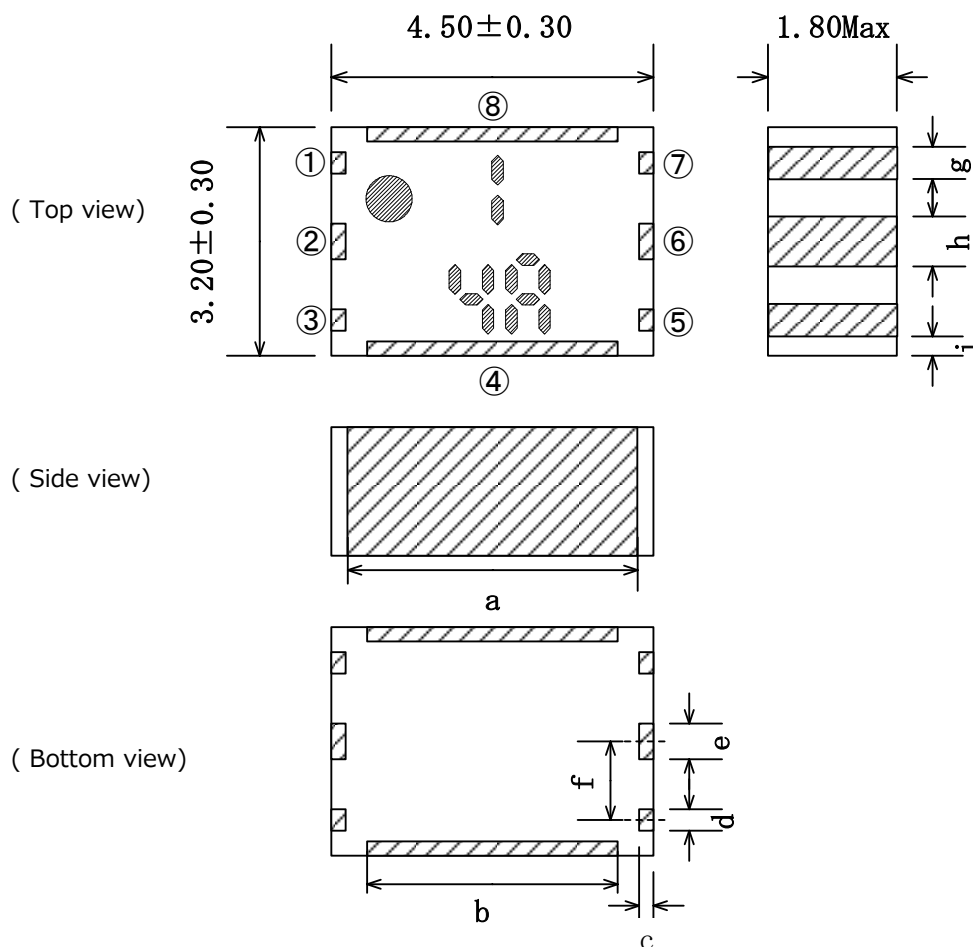
Application : Wi-Fi 6E

1. Type No.
HMD0148L - T

2. Dimension (Unit : mm)

Measured Data

RoHS Compliant Part



Terminal	
①	GND
②	Input
③	GND
④	GND
⑤	GND
⑥	Output
⑦	GND
⑧	GND

Terminal Dimensions	
a	4.05 ± 0.20
b	3.50 ± 0.20
c	0.20Typ.
d	0.30 ± 0.20
e	0.50 ± 0.20
f	1.11 ± 0.20
g	0.52 ± 0.20
h	0.70 ± 0.20
i	0.23Typ.

3. Electrical characteristics

Pass band	spec. at 25°C	Typical	Unit	Remark
Nominal impedance	50	-	ohm	
Pass band frequency	5150-5835	-	MHz	
Insertion Loss	2.50 Max.	1.92	dB	
Ripple	2.00 Max.	1.35	dB	
V.S.W.R. in pass band	2.00 Max.	1.39	-	

Attenuation	spec. at 25°C	Typical	Unit	Remark
2400 MHz - 2500 MHz	25 Min.	35	dB	
6095 MHz - 7125 MHz	45 Min.	52	dB	
10340 MHz - 11670 MHz	20 Min.	31	dB	

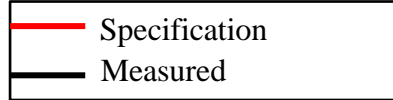
4. Note

- 4.1 Operating Temperature Range : -40 to +85 deg.C
 4.2 Storage Temperature Range before soldering in taping package : -20 to +35 deg.C
 4.3 Standard Reel Quantity : 1000 pcs (per reel, per bag)
 4.4 Max input power Level : 5W

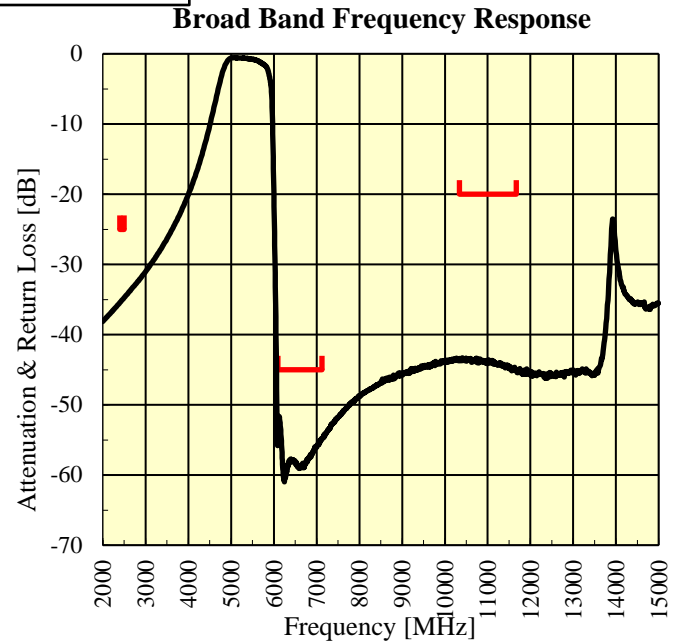
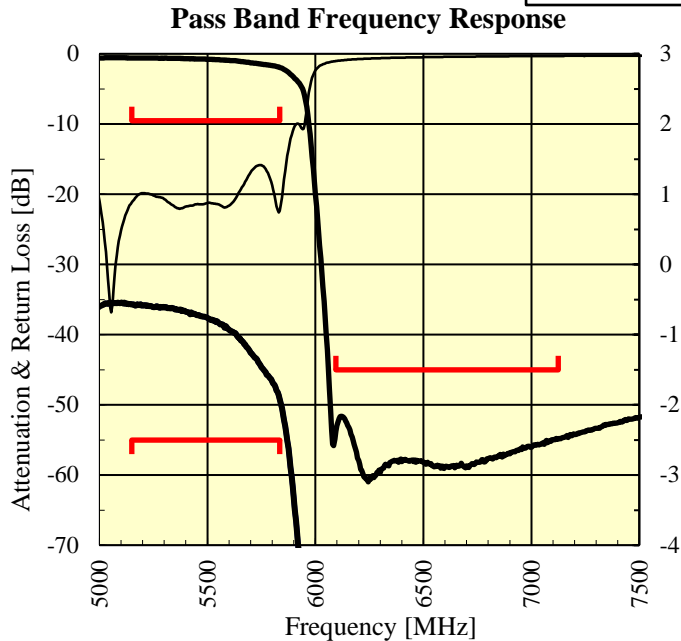
Approved by	Confirmed by	Raised by
Y. Imai	Y. Miyata	S. Suzuki

SOSHIN ELECTRIC CO., LTD

5. Representative characteristics

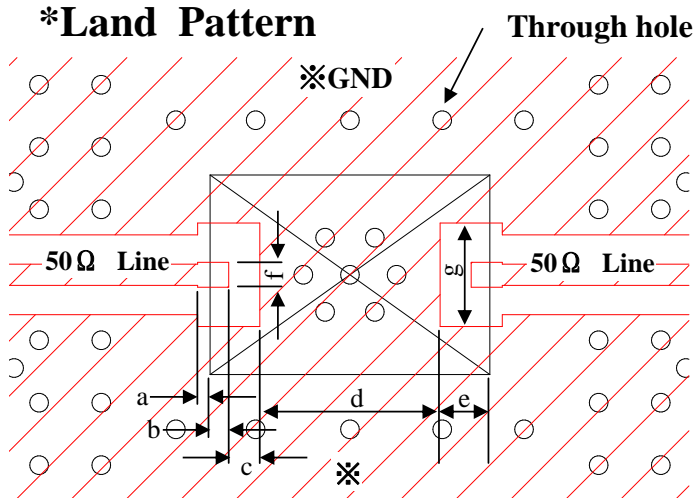


Measured Data



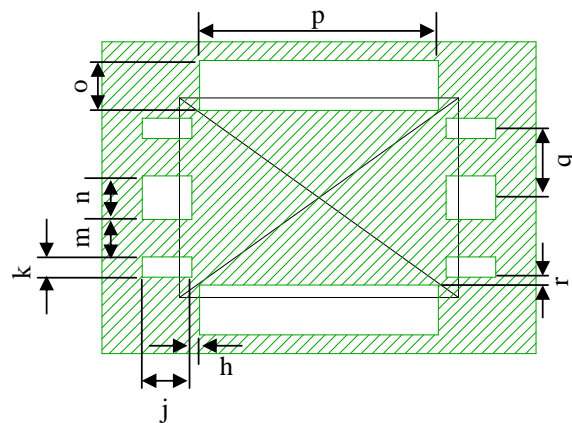
6. Recommended Land Pattern

*Land Pattern



a 0.200 mm	e 0.800 mm
b 0.300 mm	f 0.400 mm
c 0.500 mm	g 1.660 mm
d 2.900 mm	

*Resist Pattern



h 0.125 mm	n 0.700 mm
j 0.800 mm	o 0.800 mm
k 0.325 mm	p 3.850 mm
m 0.600 mm	q 1.113 mm
	r 0.125 mm