

# Product Information

Control No. : ARP-4811100-G1

Issued on June 23, 2020

## Application : 5.8GHz BPF for V2X

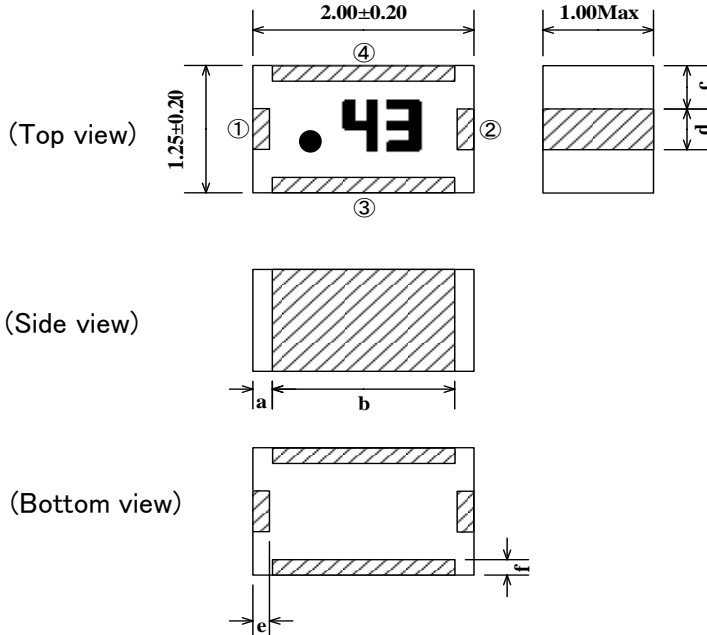
### 1. Type No.

HMD8111K-T

RoHS Compliant Part

### 2. Dimension (Unit : mm)

AEC-Q200 Compliant Part



Terminal	
①	Input
②	Output
③	GND
④	GND

Terminal Dimensions	
a	0.175+0.200/-0.175
b	1.65±0.20
c	0.425±0.200
d	0.40±0.20
e	0.15 Typ.
f	0.15 Typ.

### 3. Electrical characteristics

Parameters	Specification	Typical	Unit	Remark
fc (Center frequency)	5848	-	MHz	
Pass band frequency	5770-5925	-	MHz	
Nominal impedance	50	-	ohm	
Insertion Loss at 25 deg C.	1.40 Max.	1.08	dB	
Insertion Loss at -55 to +125 deg C.	1.70 Max.	-	dB	
VSWR in BW	1.67 Max.	1.12	-	
Ripple	0.5 Max.	0.15	dB	

Attenuation at 25 deg C.		Specification	Typical	Unit	Remark
1000 MHz	- 1500 MHz	40 Min.	44.4	dB	
1500 MHz	- 4000 MHz	30 Min.	37.0	dB	
4000 MHz	- 4800 MHz	30 Min.	33.2	dB	
6970 MHz	- 7500 MHz	23 Min.	36.1	dB	
11540 MHz	- 11700 MHz	35 Min.	38.4	dB	
17310 MHz	- 17550 MHz	21 Min.	26.0	dB	

### 4. Note

- |  |                                 |
|--|---------------------------------|
| 4.1 Operating Temperature Range                                  | : -55 to +125 deg C.            |
| 4.2 Storage Temperature Range before soldering in taping package | : -20 to +35 deg C.             |
| 4.3 Max input power (Avg/CW)                                     | : 1W                            |
| 4.4 Standard reel quantity                                       | : 2,000 pcs (per reel, per bag) |

Approved by	Confirmed by	Raised by
Y.Imai	T.Hasegawa	S.Suzuki

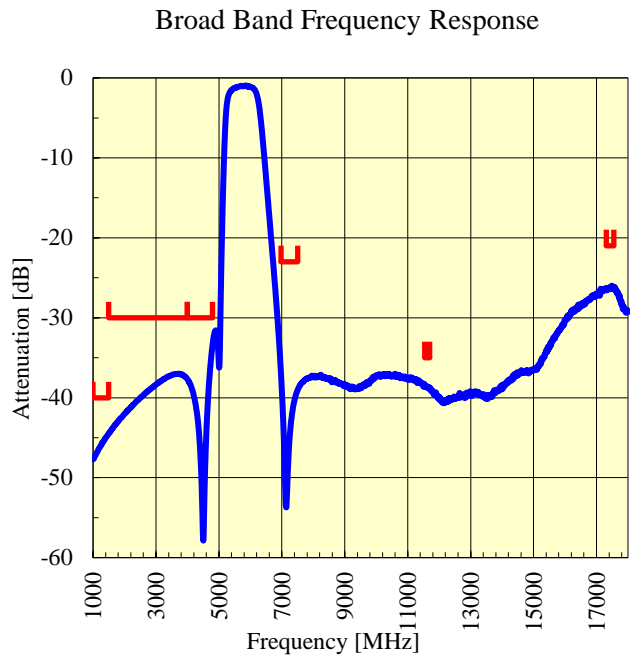
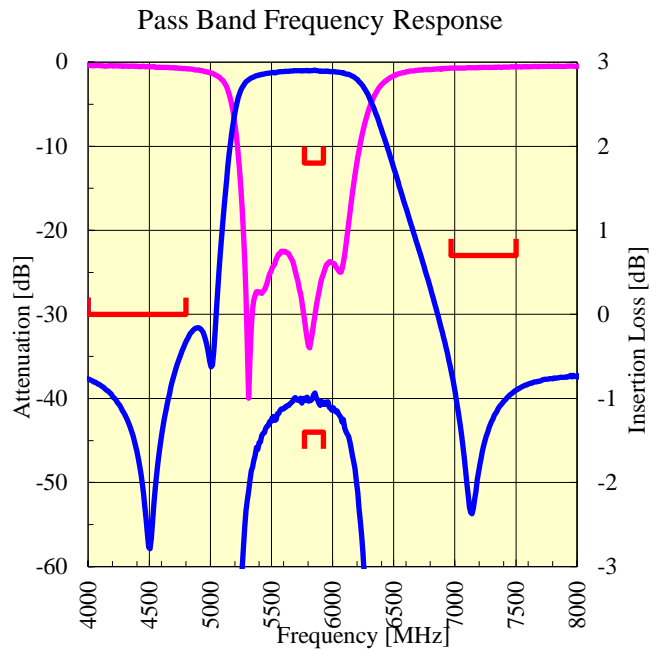
SOSHIN ELECTRIC CO., LTD

# Product Information

Control No. : ARP-4811100-G2

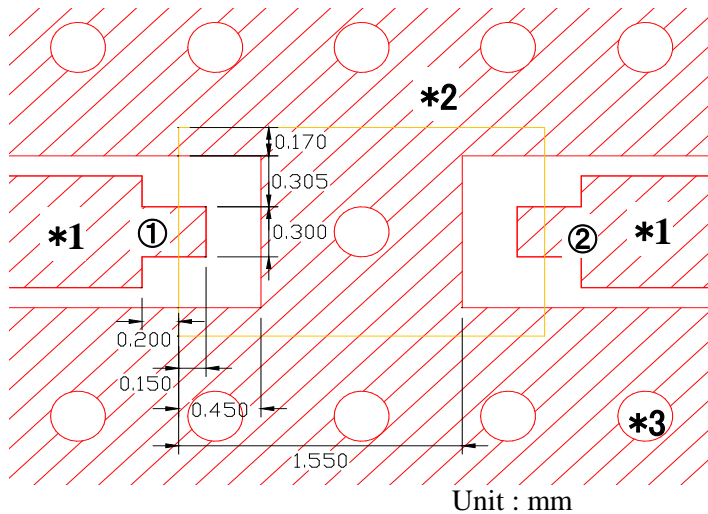
Issued on June 23, 2020

## 5. Representative characteristics



## 6. Recommendation Land Pattern (Unit:mm)

Land Pattern



Terminal
① Input
② Output

- \*1 50 Ohm Impedance Line
- \*2 Ground Plane
- \*3 Through Hole

Resist Pattern

