

# Product Information

Control No. : ASP-800290-A 1

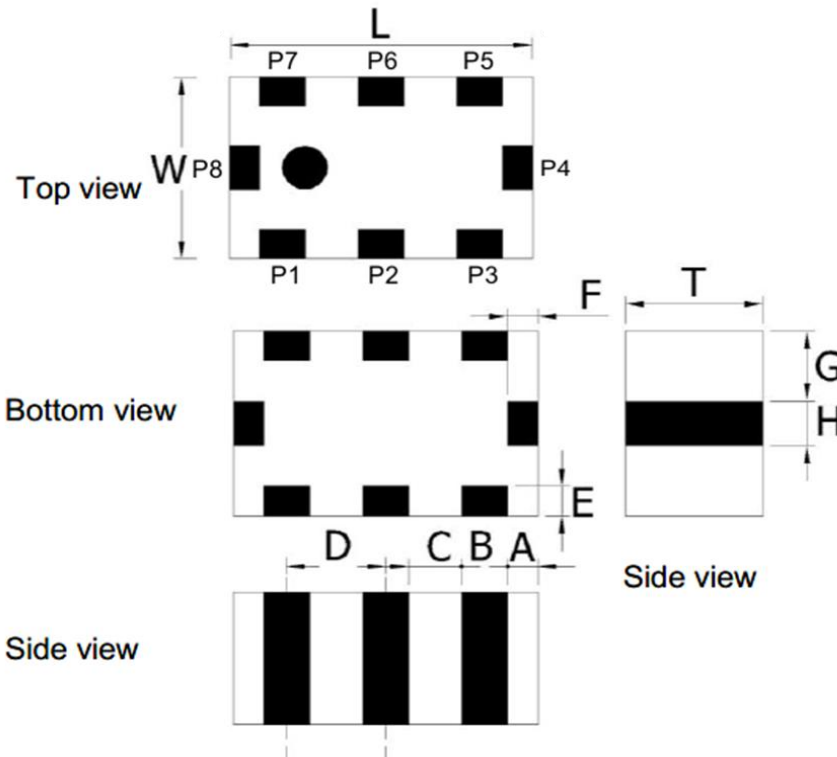
Issued on February 27, 2024

## 1. Type No.

PMDR80029C0

RoHS Compliant Part

## 2. Dimension (Unit : mm)



Terminal	
P1	Ground
P2	NC
P3	Ground
P4	output
P5	Ground
P6	NC
P7	Ground
P8	Input

Terminal Dimensions	
L	$2.00 \pm 0.15$
W	$1.25 \pm 0.15$
T	$0.95 \pm 0.10$
A	$0.20 \pm 0.15$
B	$0.30 \pm 0.15$
C	$0.35 \pm 0.15$
D	$0.65 \pm 0.15$
E	$0.20 \pm 0.15$
F	$0.20 \pm 0.15$
G	$0.475 \pm 0.150$
H	$0.30 \pm 0.15$

## 3. Electrical characteristics

Parameter	Specification	Unit	Remark
Frequency range	858 - 878	MHz	
Nominal impedance	50	ohm	
Insertion Loss	at +25°C	0.50 Max.	dB
	at -40 to +85°C	0.65 Max.	
Retrun Loss	14 Min.	dB	
Attenuation	1716 - 1756 MHz	30 Min.	dB
	2574 - 2634 MHz	40 Min.	
Power capacity	2 Max.	W	

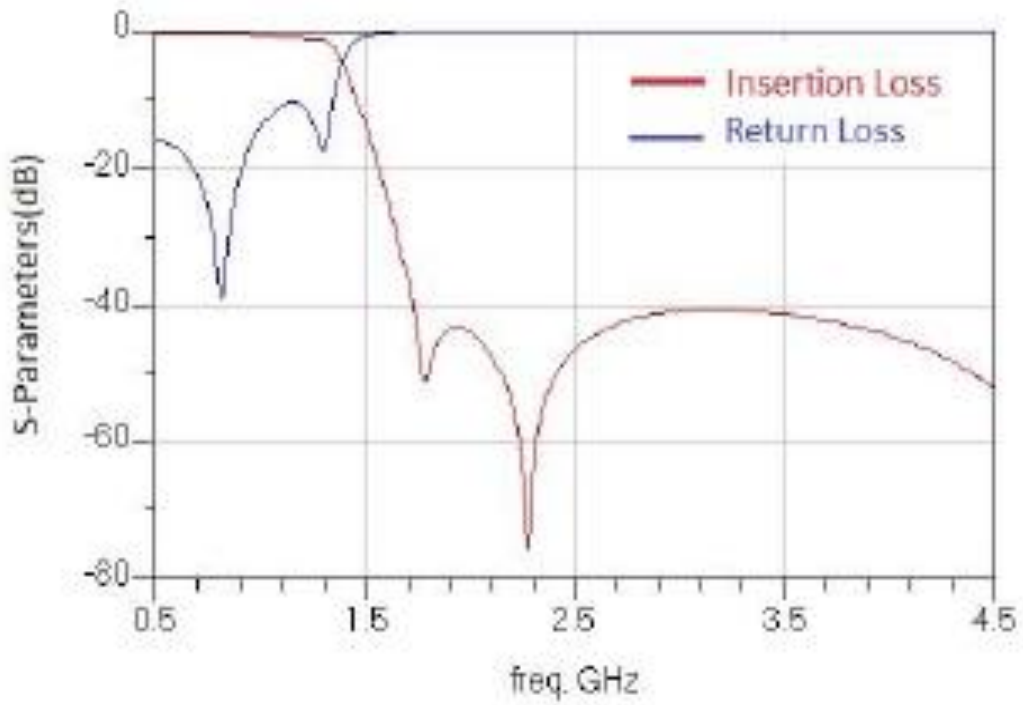
## 4. Note

- 4.1 Operating Temperature Range : -40 to +85°C
- 4.2 Storage Temperature Range before soldering in taping package : +5 to +40°C
- 4.3 Standard Reel Quantity : 2,000 pcs per reel
- 4.4 MSL : 1
- 4.5 This components are produced by OEM in PSA group.(Made in Taiwan)

	Approved by	Confirmed by	Raised by
	Y.Imai	S.Suzuki	H. Isono

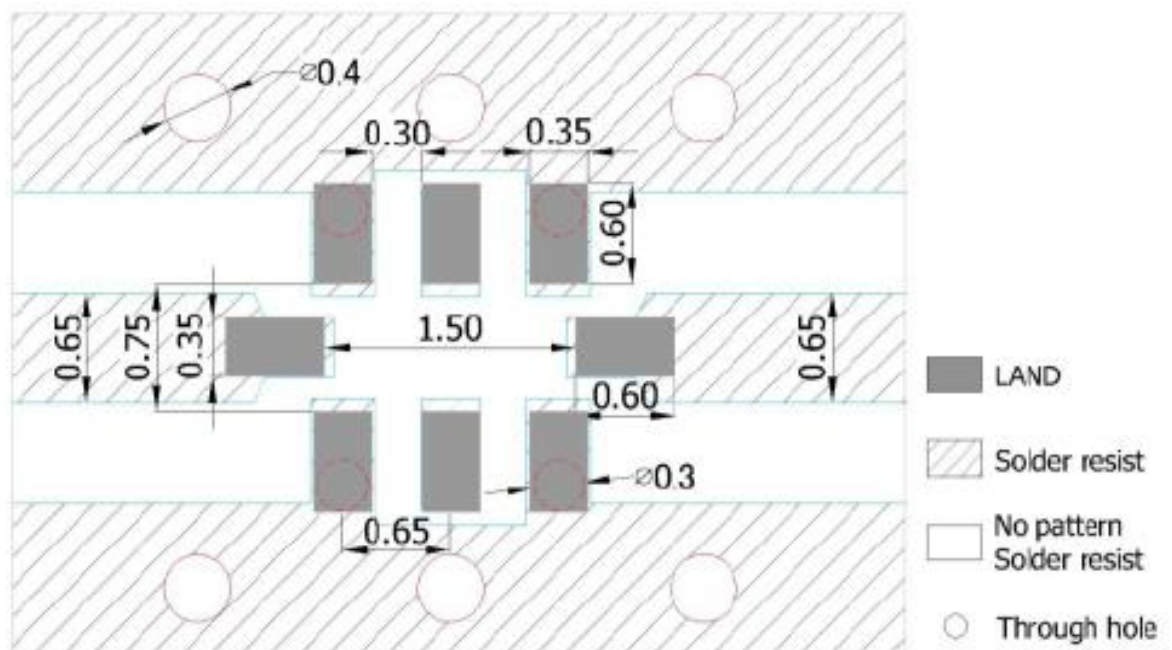
SOSHIN ELECTRIC CO., LTD

## 5.Representative characteristics



## 6.Recommendation Land Pattern (Unit:mm)

### Land Pattern



Unit : mm

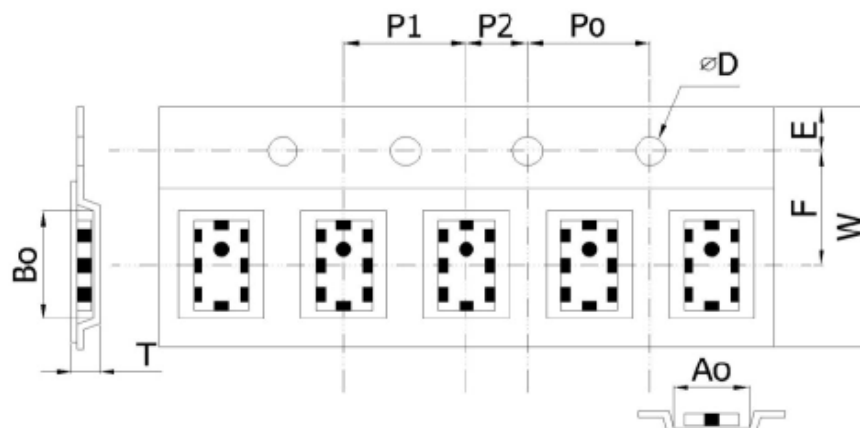
Line width to be designed to match 50  $\Omega$  characteristic impedance, depending on PCB material and thickness.

# Product Information

Control No. : ASP-800290-A 3

Issued on February 27, 2024

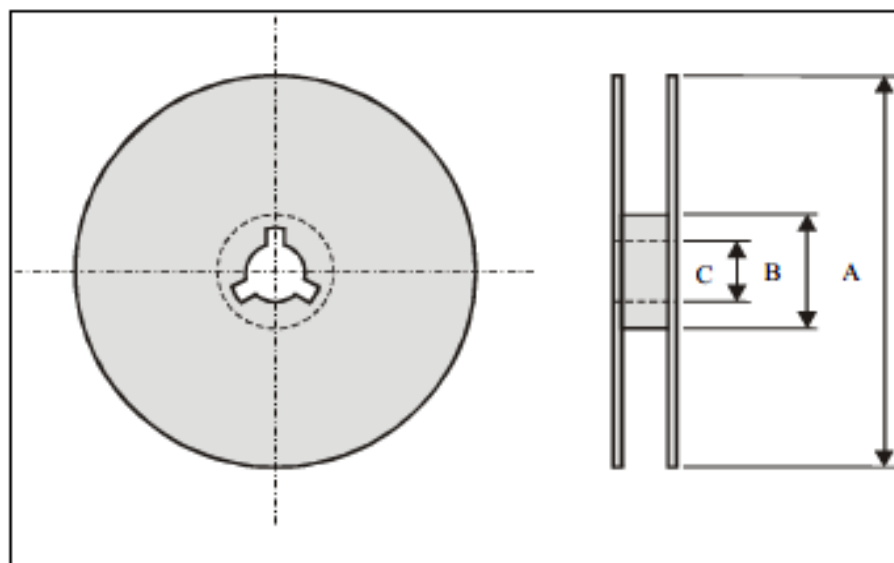
## 7.1 Dimensions of the carrier tape



Plastic Tape specifications (unit :mm)

Index	Ao	Bo	$\phi D$	T	W
Dimension (mm)	$1.30 \pm 0.10$	$2.25 \pm 0.10$	$1.55 + 0.10$	$1.10 \pm 0.10$	$8.0 \pm 0.10$
Index	E	F	Po	P1	P2
Dimension (mm)	$1.75 \pm 0.10$	$3.50 \pm 0.05$	$4.00 \pm 0.10$	$4.00 \pm 0.10$	$2.00 \pm 0.10$

## 7.2 Carrier tape reel dimensions



Index	A	B	C
Dimension (mm)	$\phi 178.0$	$\phi 60.0$	$\phi 13.0$