

# HF3000C-UQ Series (RoHS 対応品)

三相3線式 480VAC

高減衰・大電流(中性点接地電源タイプ)



【 320A~600A 】



Type Approved  
Safety  
Regular Production  
Surveillance  
www.tuv.com  
ID: 2000000000

320A品 外観

UL1283 (file No.E102708)  
EN60939-2 (file No.R50031225)

## 用途

IGBTインバータ、ACサーボ、NC制御機器など

## 仕様

Part No.	Rated Current	Weight	
HF3320C-UQ	320A	7.7kg	fig1
HF3400C-UQ	400A	7.7kg	
HF3600C-UQ	600A	7.7kg	
HF3900C-UQ	900A	15kg	fig2
HF31200C-UQ	1200A	25kg	fig3
HF31600C-UQ	1600A	33kg	fig4
Rated Voltage	480VAC max		
Leakage Current	375mA max/480VAC 60Hz By UL1283		
Ambient temp.	-10 up to 50 Deg.C		

fig.1 (320, 400, 600A)

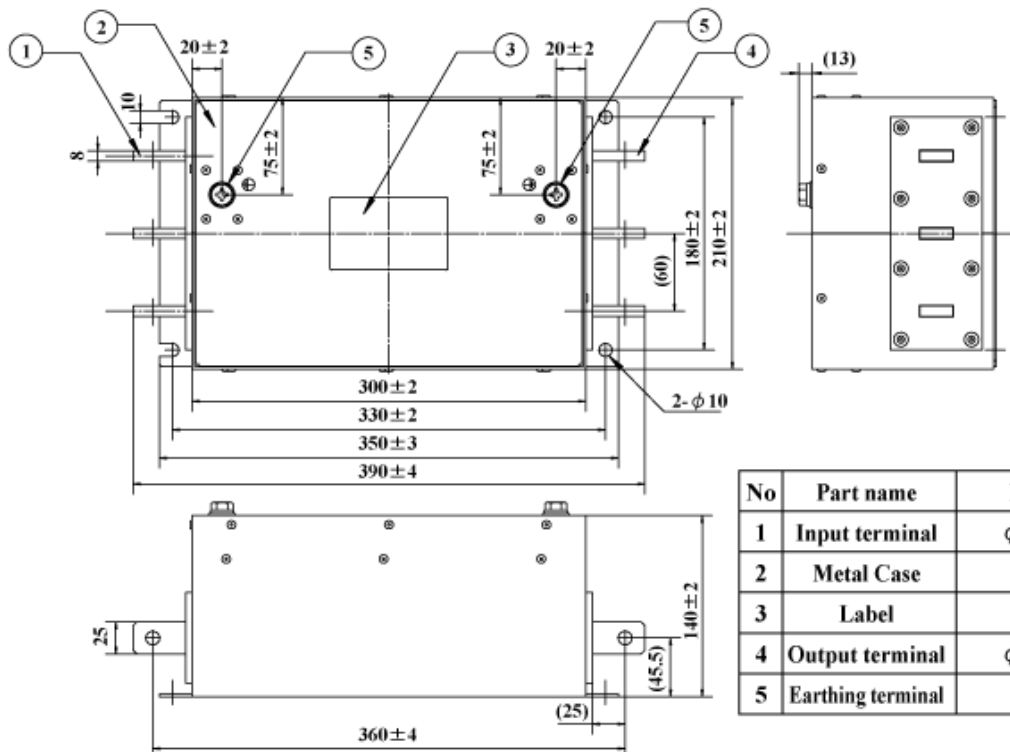
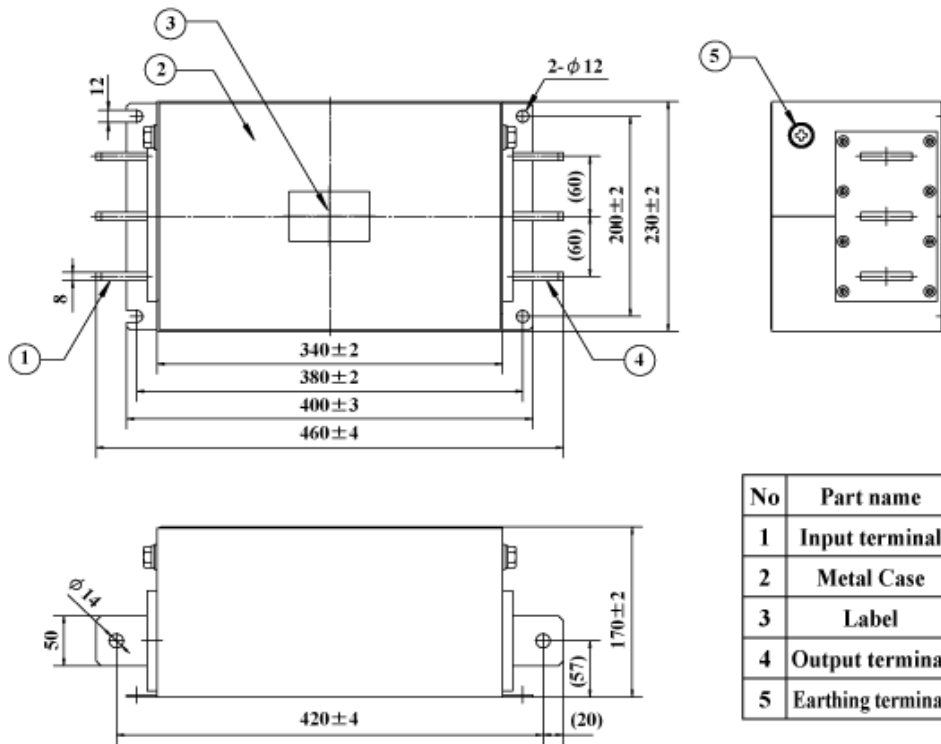
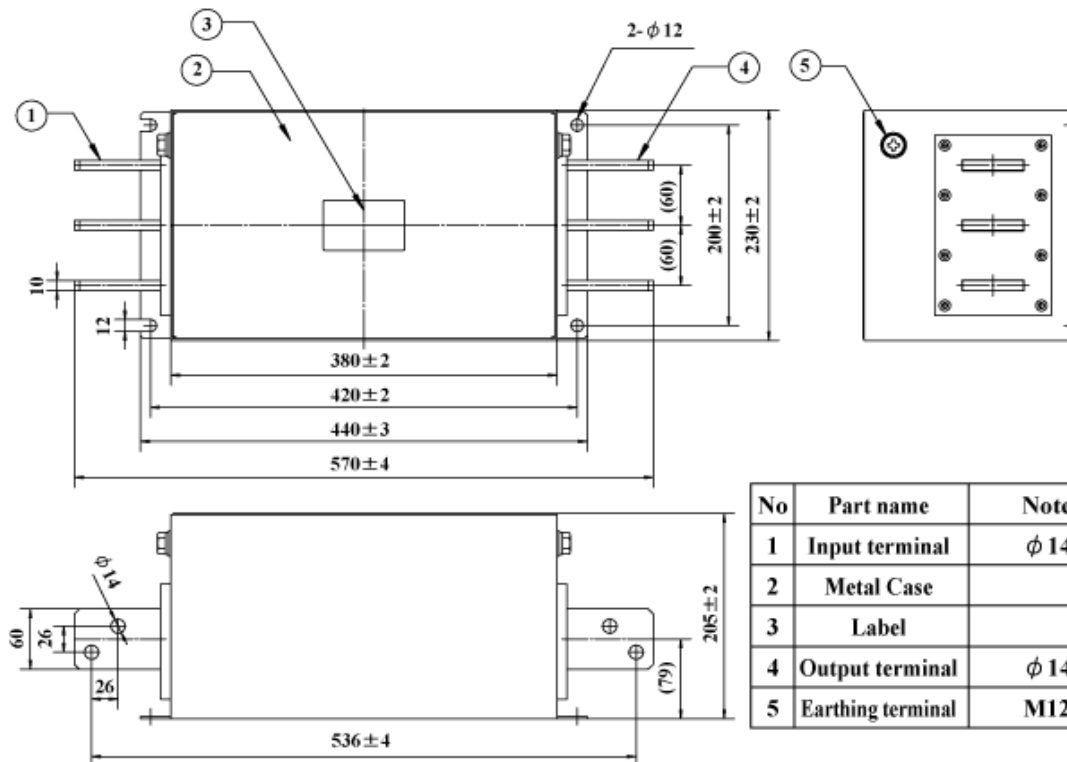


fig.2 (900A)



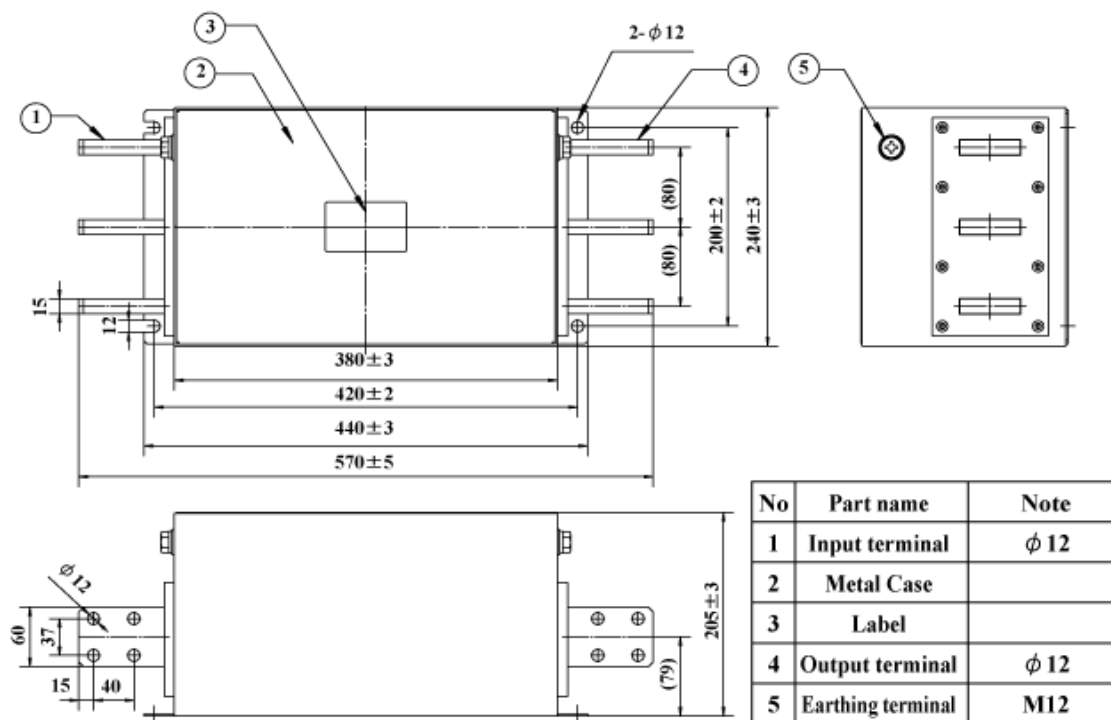
No	Part name	Note
1	Input terminal	φ 14
2	Metal Case	
3	Label	
4	Output terminal	φ 14
5	Earthing terminal	M12

fig. 3 (1200A)

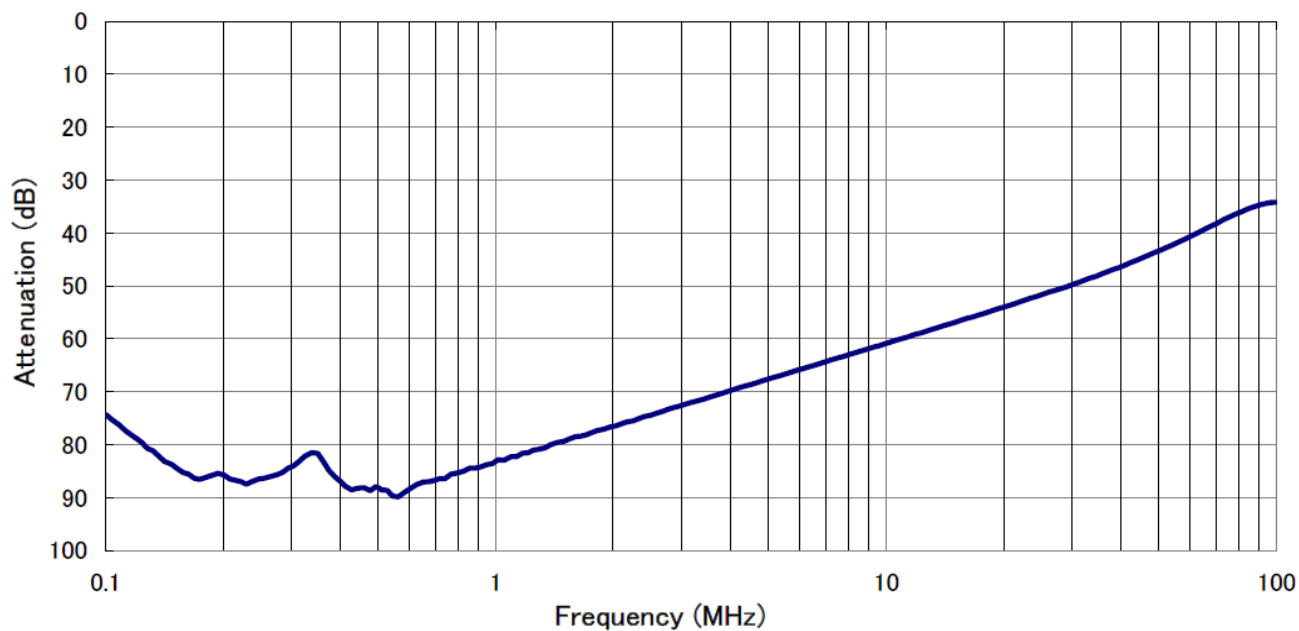


No	Part name	Note
1	Input terminal	φ 14
2	Metal Case	
3	Label	
4	Output terminal	φ 14
5	Earthing terminal	M12

fig. 4 (1600A)



減衰特性 (320A)



回路图

