

NF3000C-SWA Series (RoHS 対応品)

三線三相式 500VAC

ブック型・Yコン切替えスイッチ付き



60A品 外観

UL1283/CSA C22.2 No8(C-UL) (file No.E102708)
EN60939-2 (file No.R50147282)

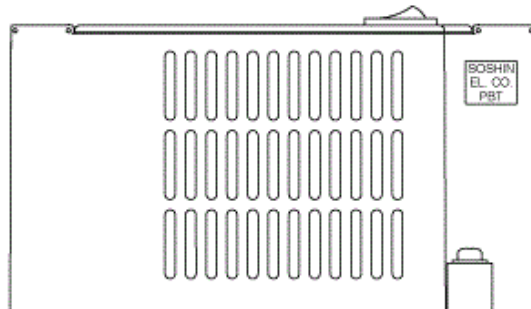
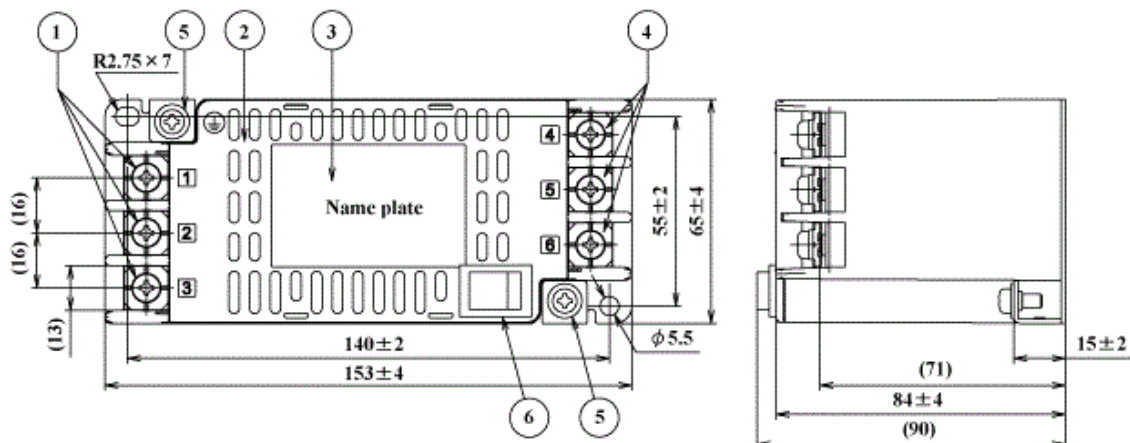
用途

工作機械、汎用インバータ、ACサーボなど

仕様

Parts No.	Rated Current	Weight	
NF3040C-SWA	40A	1.1Kg	fig1
NF3050C-SWA	50A	1.1Kg	
NF3060C-SWA	60A	1.1Kg	
NF3080C-SWA	80A	2.6Kg	fig2
NF3100C-SWA	100A	2.7Kg	
NF3150C-SWA	150A	4.3Kg	fig3
NF3200C-SWA	200A	6.9Kg	fig4
NF3250C-SWA	250A	8.1Kg	
NF3300C-SWA	300A	8.1Kg	
Rated Voltage	530VAC max		
Leakage Current	Switch-Off[O]:0.1mA max		
	Switch-On[I]:150mA max		
	/500VAC 60Hz By UL1283		
Ambient temp.	-20 up to 50 Deg.C		

fig.1 (40-60A)



No	Part name	Note
1	Input terminal	M5
2	Case	PBT
3	Name plate	
4	Output terminal	M5
5	Earth terminal	M4
6	Switch	ON: 「I」 OFF: 「O」

fig.2 (80-100A)

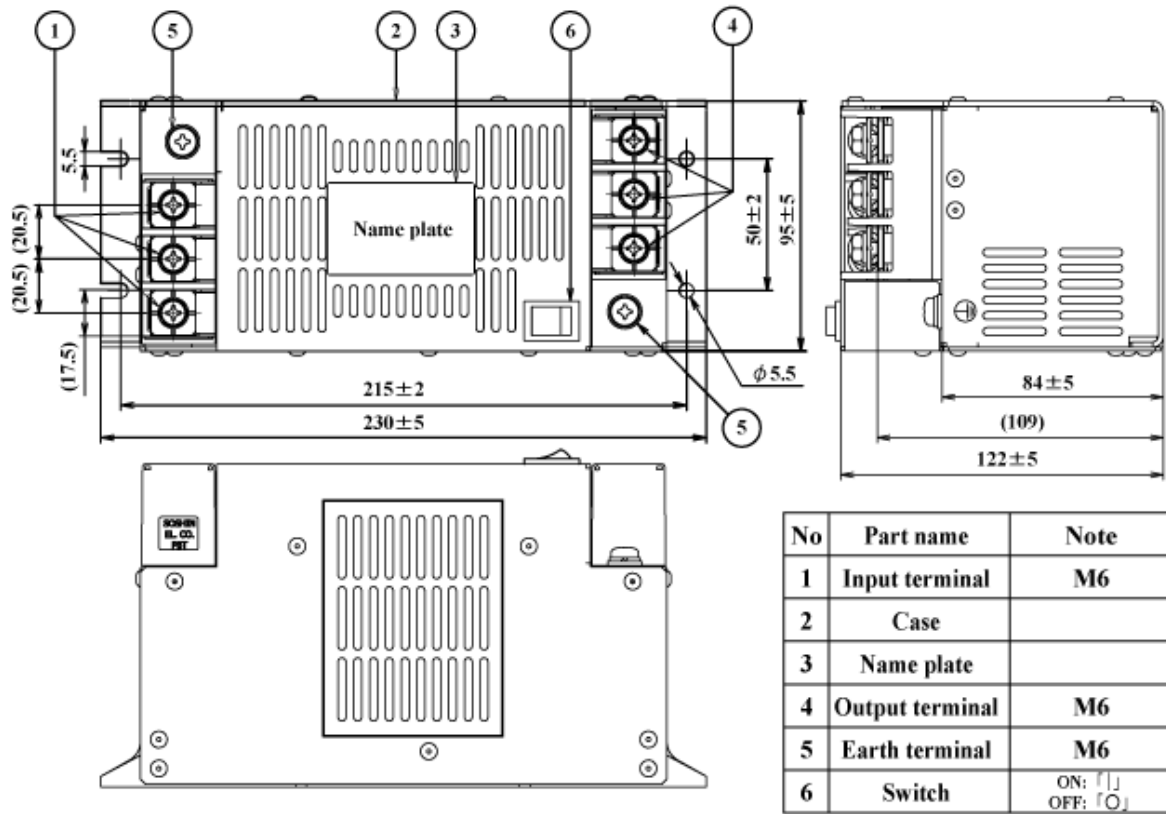


fig.3 (150A)

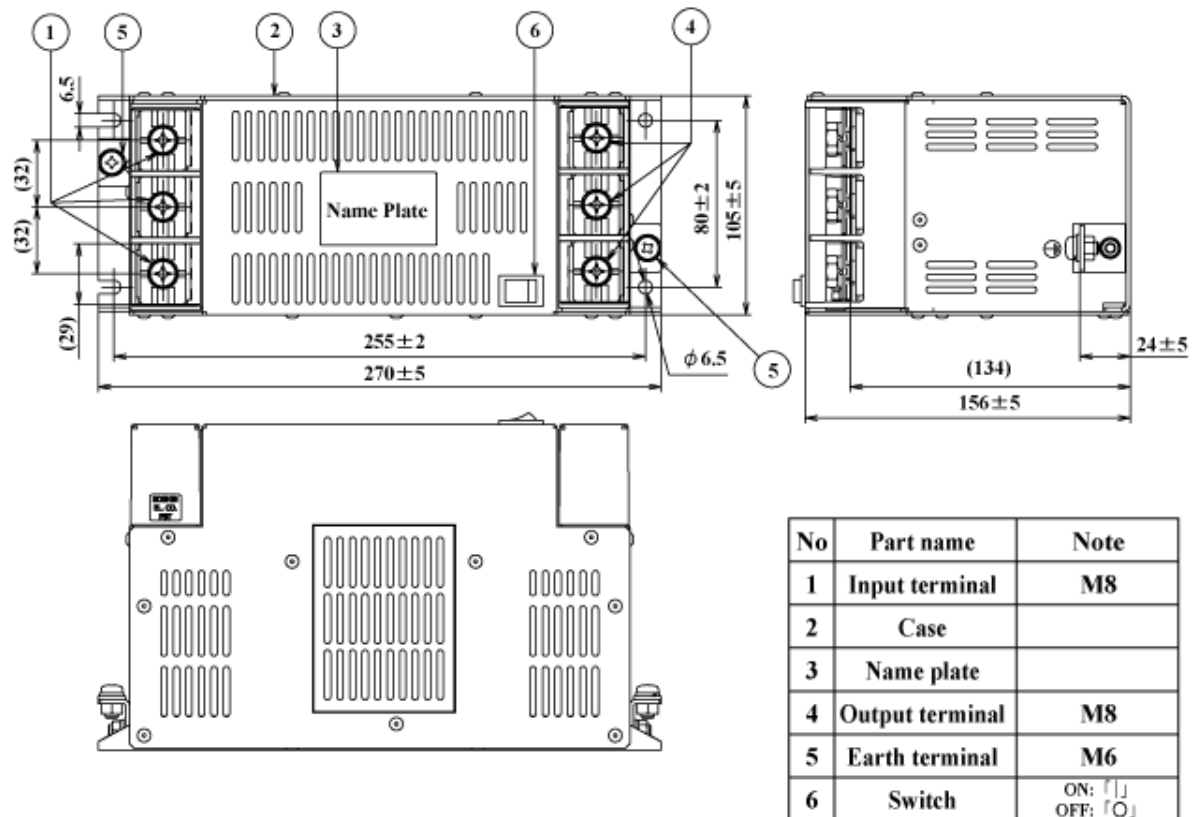
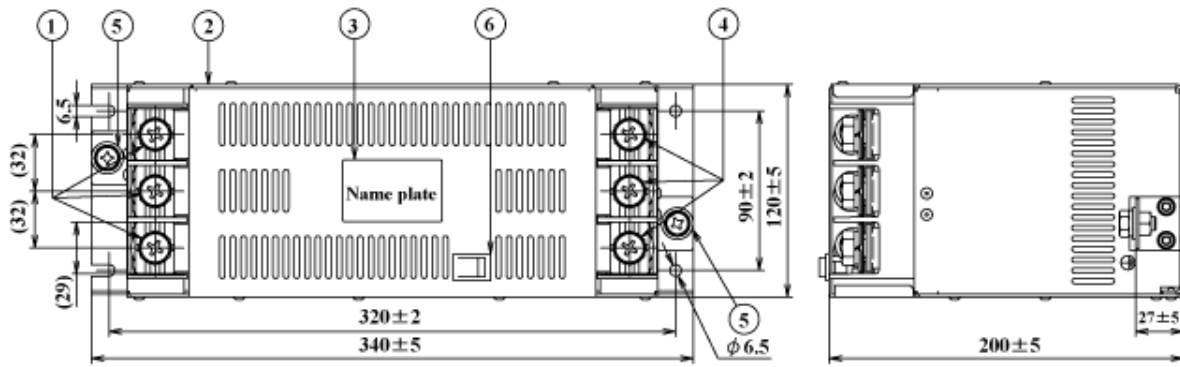
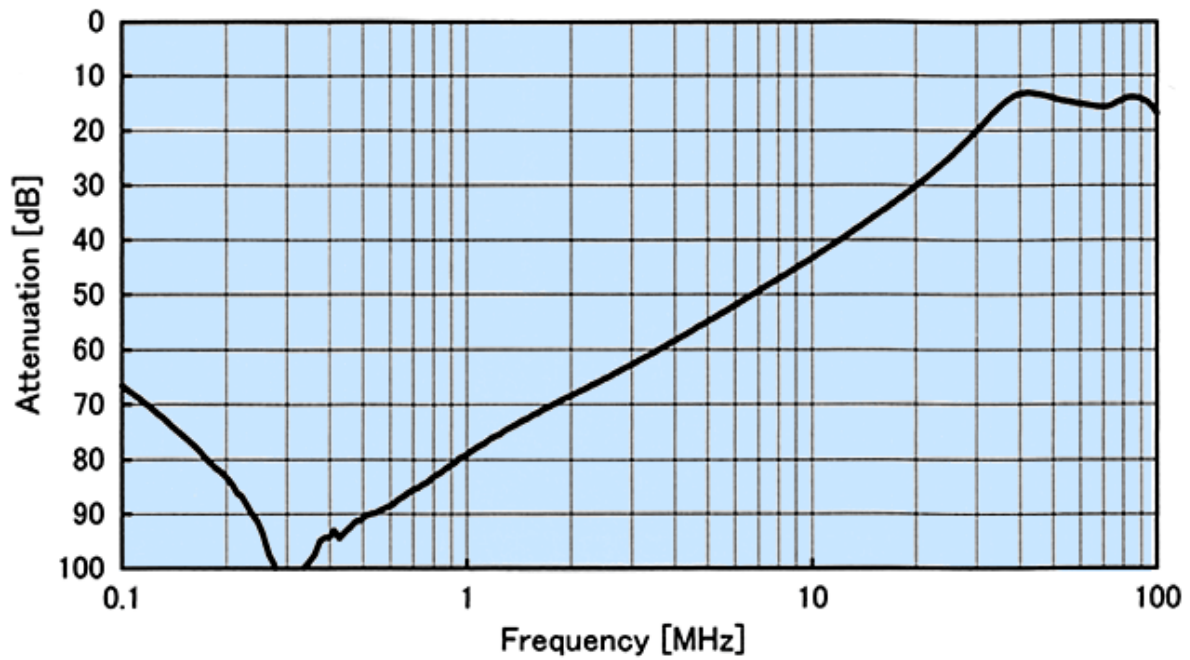


fig.4 (200-300A)



No	Part name	Note
1	Input terminal	M10
2	Case	
3	Name plate	
4	Output terminal	M10
5	Earth terminal	M8
6	Switch	ON: [I] OFF: [O]

代表特性 (NF3050C-SWA with Switch ON)



回路图

