

# Product Information

Control No. : ARP-4172000-C 1

Issued on July 29, 2024

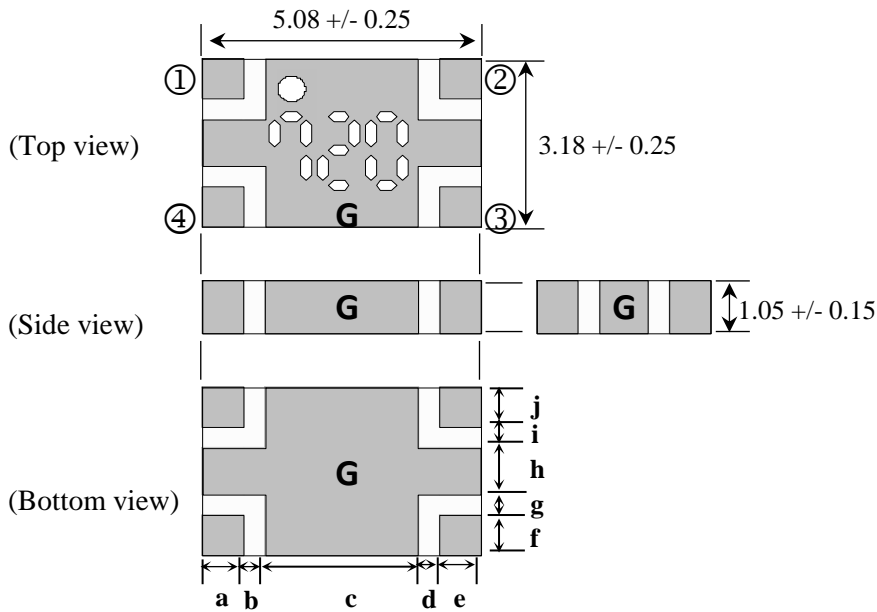
Measured

RoHS Compliant Part

## 1. Type No.

HMD1720A-04M4500

## 2. Dimension (Unit : mm)



Terminal	
①	IN
②	ISOLATION
③	Direct
④	Coupled
G	GND

Terminal Dimensions	
a	$0.76 \pm 0.20$
b	$0.38 \pm 0.20$
c	$2.80 \pm 0.20$
d	$0.38 \pm 0.20$
e	$0.76 \pm 0.20$
f	$0.77 \pm 0.20$
g	$0.38 \pm 0.20$
h	$0.89 \pm 0.20$
i	$0.38 \pm 0.20$
j	$0.77 \pm 0.20$

## 3. Electrical characteristics

Parameter		Band1	Band2	Unit	Remark
Pass band frequency	Proposal	3600-5100	4400-5000	MHz	
Nominal impedance	Proposal	50	50	ohm	
Directivity	Proposal	20 Min.	20 Min.	dB	
	Typical	25.90	26.03		
Insertion Loss at 25degC.	Proposal	0.20 Max.	0.20 Max.	dB	
	Typical	0.13	0.12		
Input port VSWR	Proposal	1.15 Max.	1.15 Max.	dB	
	Typical	1.13	1.12		
Mean coupling	Proposal	$4.0 \pm 0.2$	$4.0 \pm 0.2$	dB	
	Typical	3.88	3.84		
Phase balance	Proposal	$90 \pm 4$	$90 \pm 4$	deg	
	Typical	92.0	91.9		
Frequency Sensitivity	Proposal	0.20 Max.	0.15 Max.	dB	
	Typical	0.20	0.05		

## 4. Note

- 4.1 Operating Temperature Range : -55 to +105 deg.C
- 4.2 Storage Temperature Range : -20 to +35 deg.C (In a Taping Package)
- 4.3 Max Input Power : 25W max. at 105degC.
- 4.4 Standard Reel Quantity : 1,000 pcs (per reel, per bag)

	Approved by	Confirmed by	Raised by
	Y. Imai	S. Suzuki	H. Isono

SOSHIN ELECTRIC CO., LTD

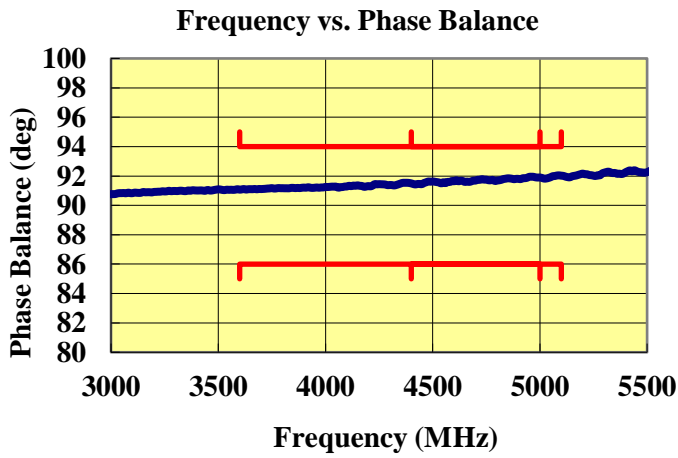
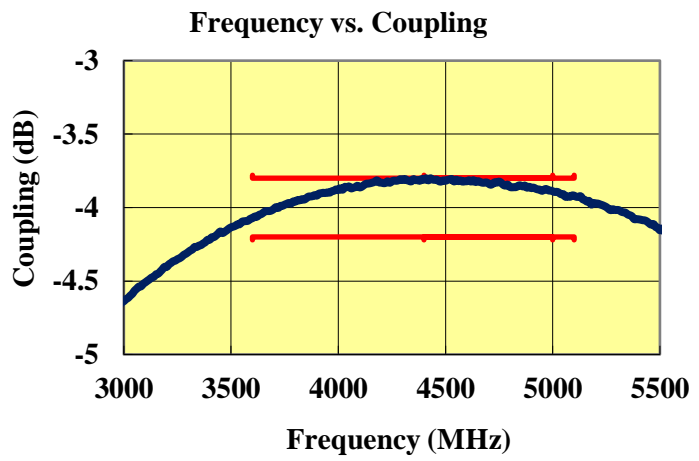
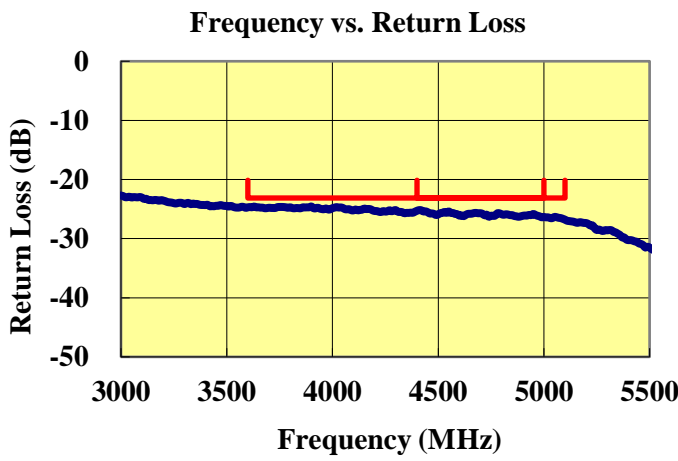
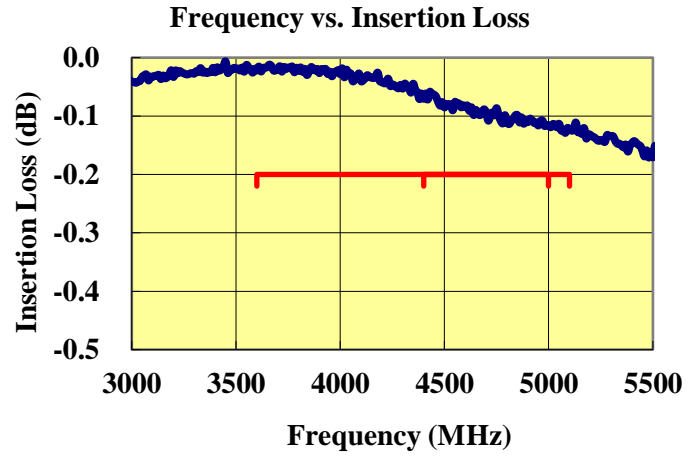
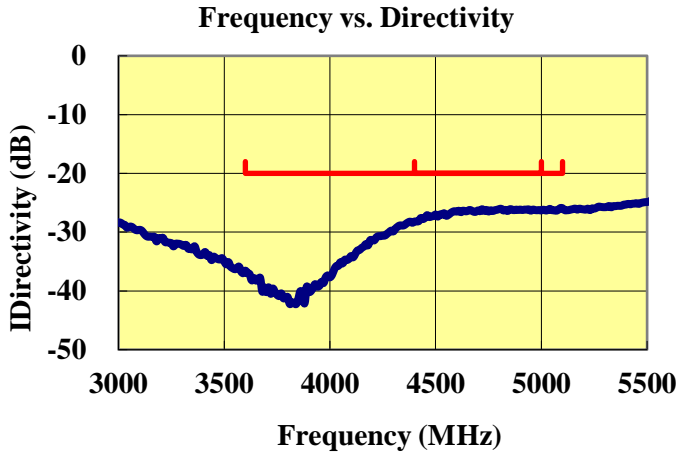
# Product Information

Control No. : ARP-4172000-C 2

Issued on July 29, 2024

## 5.Representative characteristics

Measured



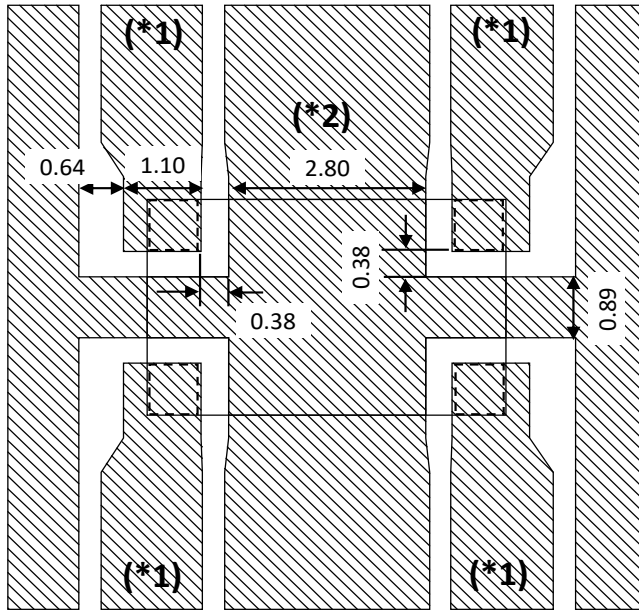
# Product Information

Control No. : ARP-4172000-C 3

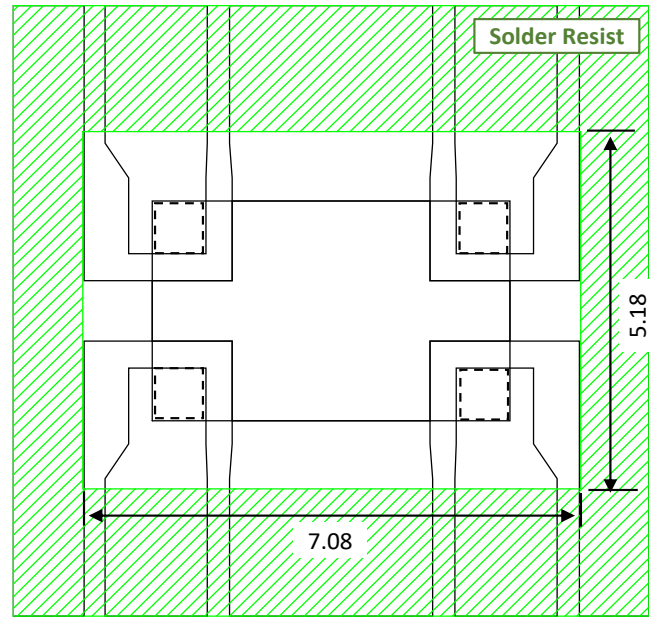
Issued on July 29, 2024

## 6.Recommended Land Pattern (Unit:mm)

### \*Land Pattern



### \*Resist Pattern



\*1 50 ohm impedance Line

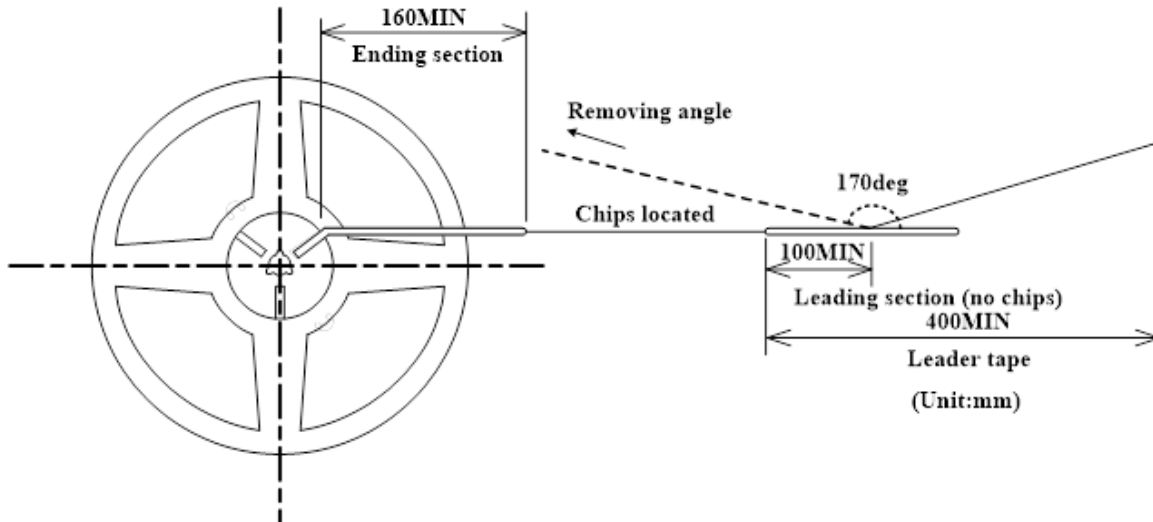
\*2 Ground Plane

## 7. Packing method

### 7. 1 Taping conditions

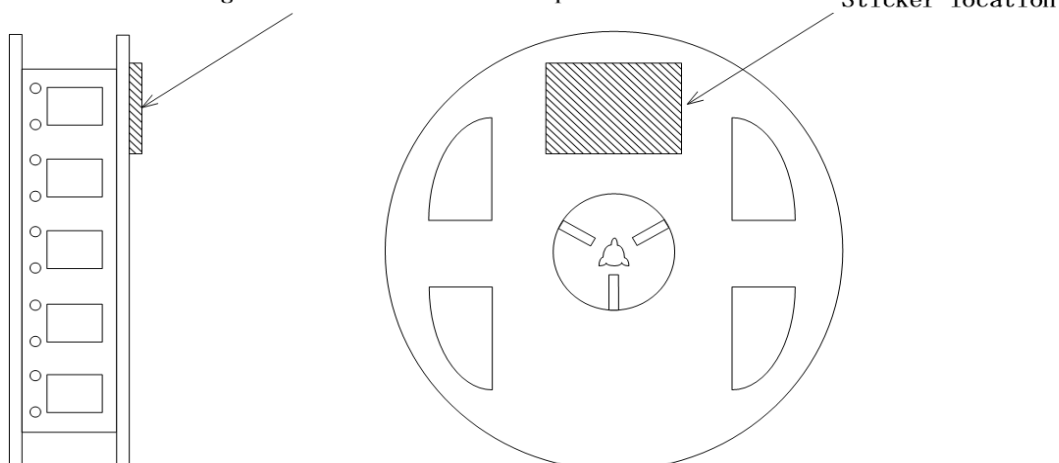
Taping conditions are shown below. Refer to IEC60286-3

- (1) Tape must be wound clockwise with the feeding hole coming to the right hand side.
- (2) Top cover tape must not cover feeding holes of carrier tape and/or show out of carrier tape.
- (3) A blank section carrying no chips of a length of 160mm min. on ending section and 100mm min. on leading section must be provided.
- (4) A leading section of 400mm min. must be provided on top cover tape.



- (5) To end tape winding, the leading section of top cover tape must be stuck on a side of a reel with adhesive tape.
- (6) Removing force of top cover tape in the unwinding with an angle of 170 degrees between the removed side of a reel and carrier tape must be 0.1 to 1.0N.
- (7) When the embossed tape is turned upside down with the sealing tape peeled off, the filter body inside of the tape must fall off and the mounter must not cause a take-up mistake.
- (8) A sticker carrying Soshin product №, quantity, lot №, inspection date is to be placed on the specified side of reels. And Lot No. means our production control number. The shipment records are available if requested.

A ticker is placed on opposite side on the feeding hole side of carrier tape

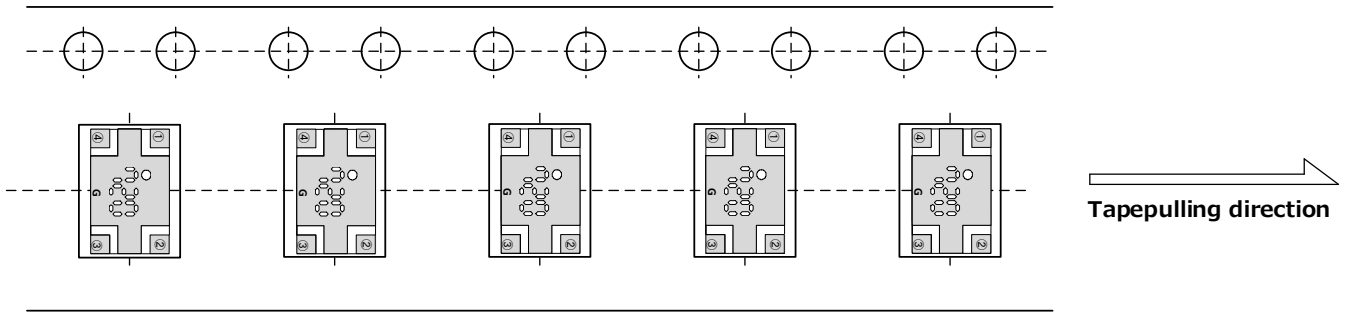


# Product Information

Control No. : ARP-4172000-C 5

Issued on July 29, 2024

(9) Product orientation must be consistent. Products must not be positioned out of the mounting location.

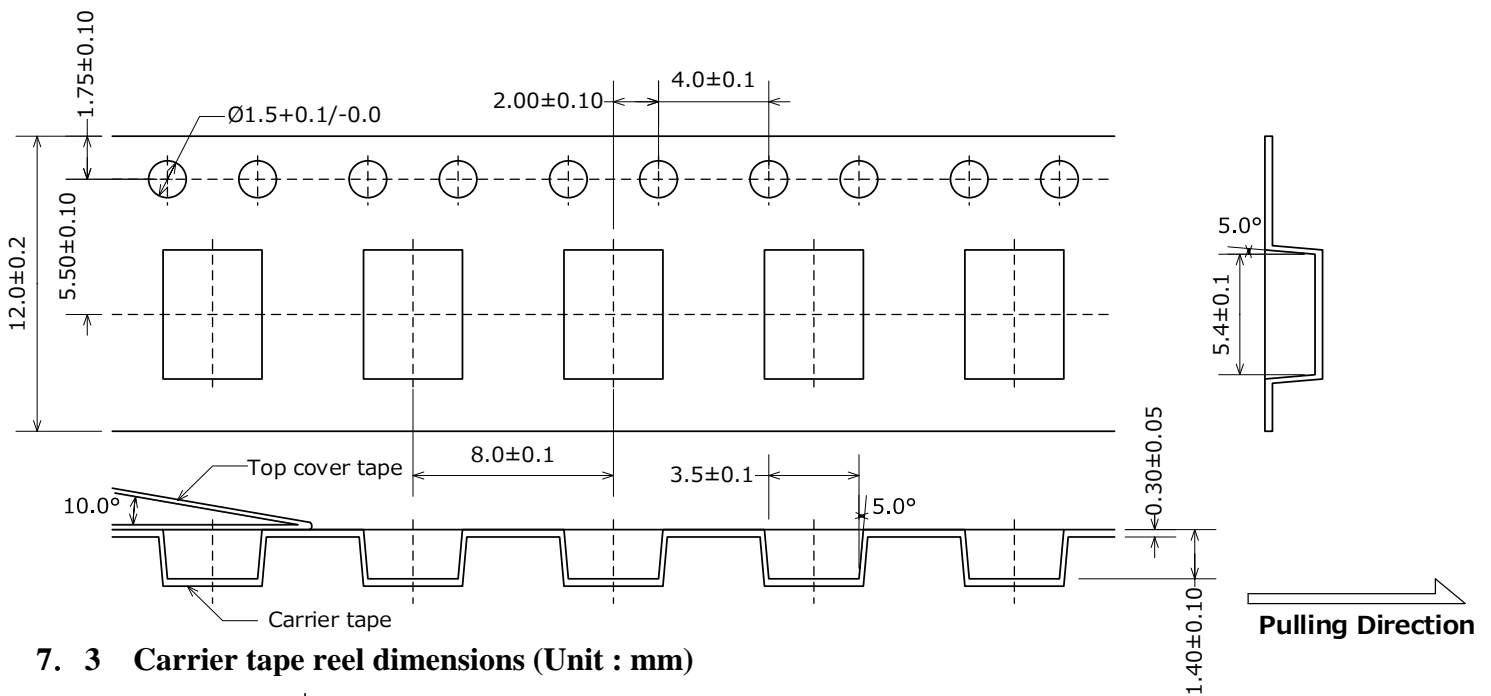


(10) A taping reel must be sealed in a plastic bag, individually.

(11) Tape-packaged quantity

The quantity is 1,000 pcs per single tape-package as a rule.

## 7. 2 Dimensions of the carrier tape (Unit : mm)



## 7. 3 Carrier tape reel dimensions (Unit : mm)

