

# Product Information

Control No. : ASP-800270-A 1

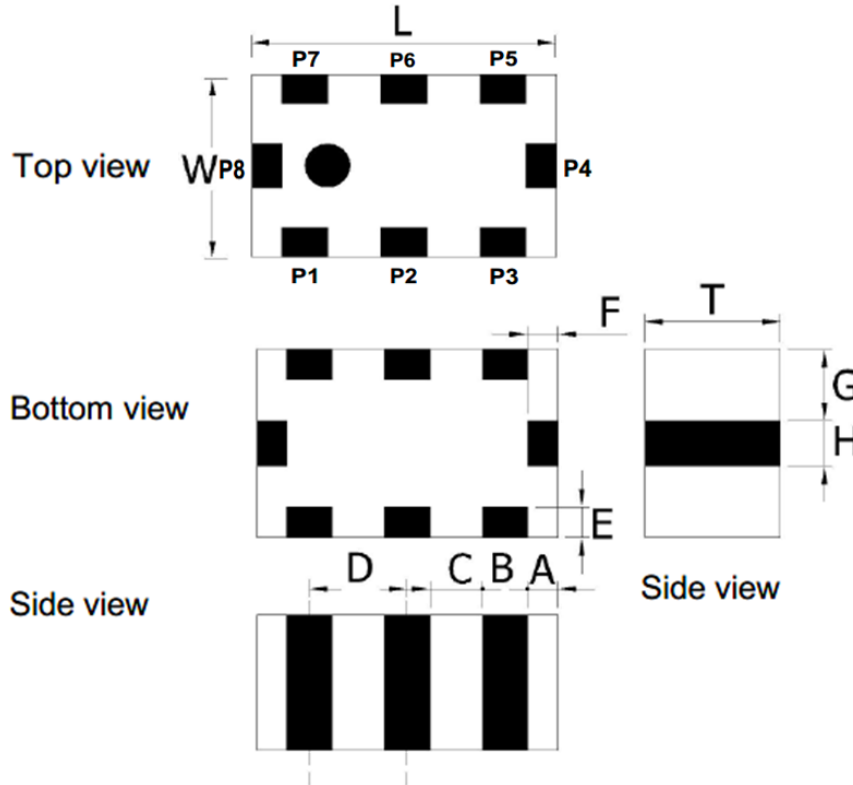
Issued on February 27, 2024

## 1. Type No.

PMDR80027C0

RoHS Compliant Part

## 2. Dimension (Unit : mm)



Terminal	
P1	Ground
P2	NC
P3	Ground
P4	Input / output
P5	Ground
P6	NC
P7	Ground
P8	Input / output

Terminal Dimensions	
L	2.00±0.15
W	1.25±0.10
T	0.95±0.10
A	0.20±0.10
B	0.30±0.10
C	0.35±0.10
D	0.65±0.10
E	0.20±0.10
F	0.20±0.10
G	0.475±0.100
H	0.30±0.10

## 3. Electrical characteristics

Parameter	Specification	Unit	Remark
Frequency range	890 - 915	MHz	
Nominal impedance	50	ohm	
Insertion Loss	at +25°C	0.6 Max.	dB
	at -40 to +85°C	0.75 Max.	
VSWR	2.0 Min.	dB	
Attenuation	1780 - 1830 MHz	30 Min.	dB
	2670 - 2745 MHz	30 Min.	

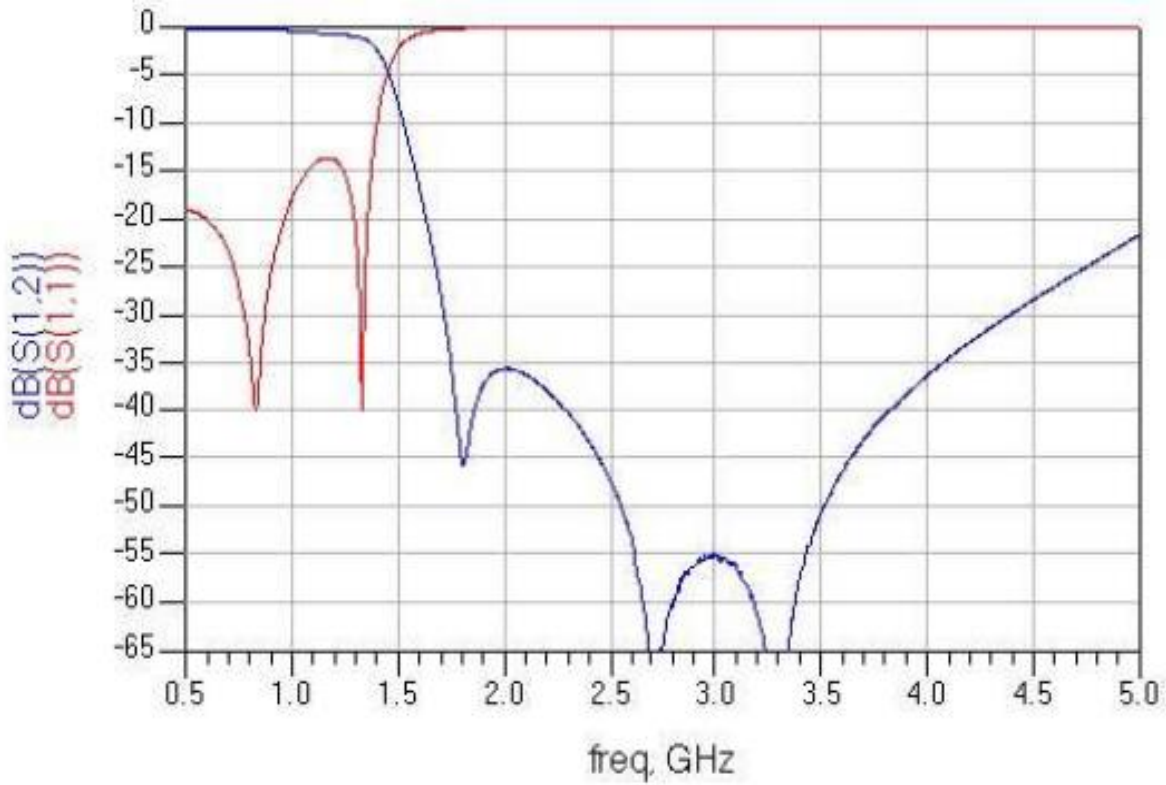
## 4. Note

- 4.1 Operating Temperature Range : -40 to +85°C
- 4.2 Storage Temperature Range before soldering in taping package : -10 to +40°C
- 4.3 Standard Reel Quantity : 2,000 pcs per reel
- 4.4 MSL : 1
- 4.5 This components are produced by OEM in PSA group.(Made in Taiwan)

Approved by	Confirmed by	Raised by
Y.Imai	S.Suzuki	H.Aizawa

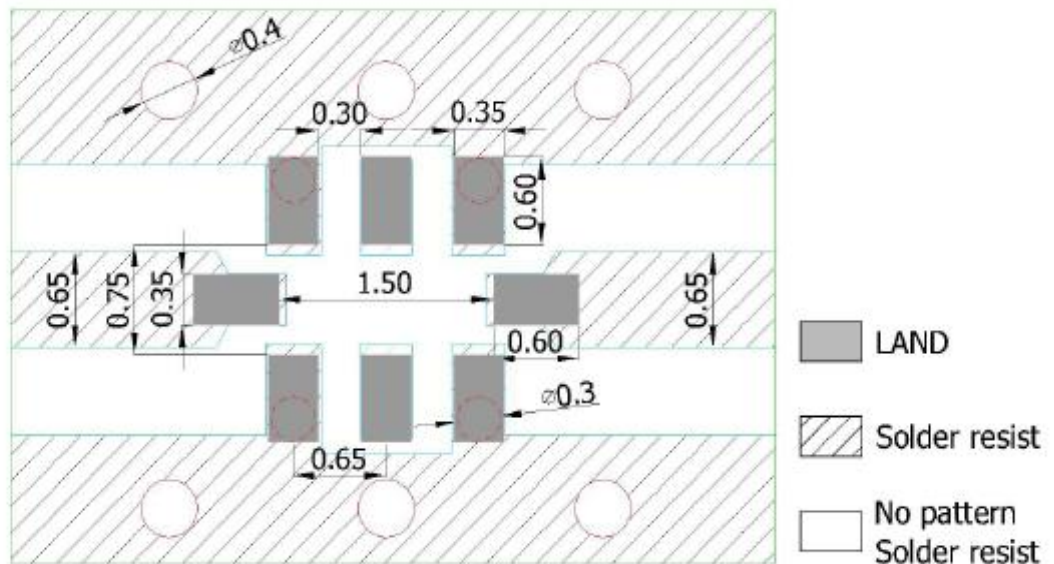
SOSHIN ELECTRIC CO., LTD

## 5.Representative characteristics



## 6.Recommendation Land Pattern (Unit:mm)

### Land Pattern



Unit : mm

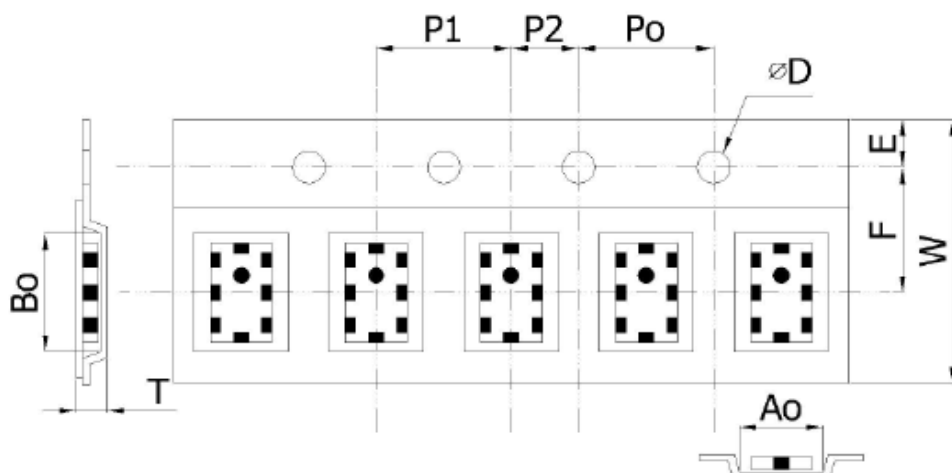
Line width to be designed to match 50  $\Omega$  characteristic impedance, depending on PCB material and thickness.

# Product Information

Control No. : ASP-800270-A 3

Issued on February 27, 2024

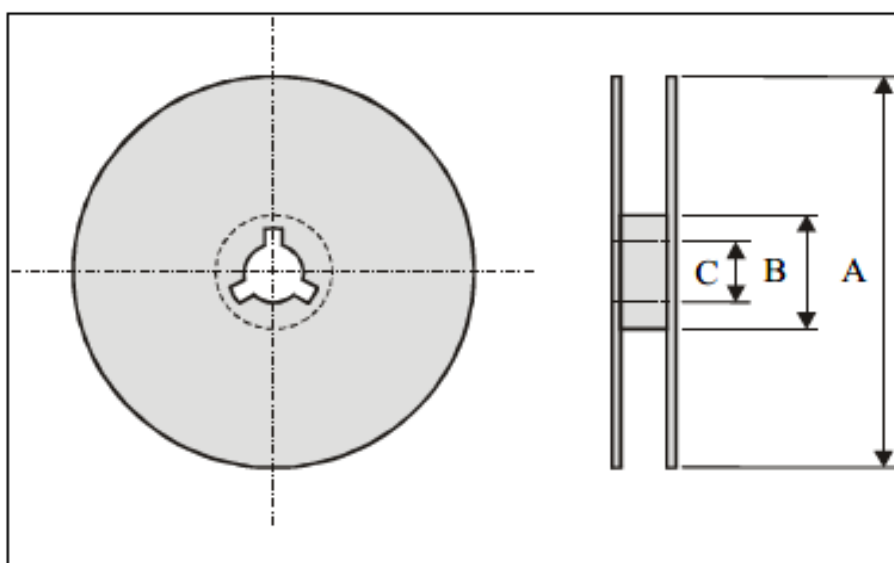
## 7.1 Dimensions of the carrier tape



Plastic Tape specifications (unit :mm)

Index	Ao	Bo	φD	T	W
Dimension (mm)	1.40 ± 0.10	2.30 ± 0.10	1.55 ± 0.10	1.10 ± 0.10	8.0 ± 0.10
Index	E	F	Po	P1	P2
Dimension (mm)	1.75 ± 0.10	3.50 ± 0.05	4.00 ± 0.10	4.00 ± 0.10	2.00 ± 0.10

## 7.2 Carrier tape reel dimensions



Index	A	B	C
Dimension (mm)	Φ178.0	Φ60.0	Φ13.0