

Product Information

Control No. : ASP-800310-A 1

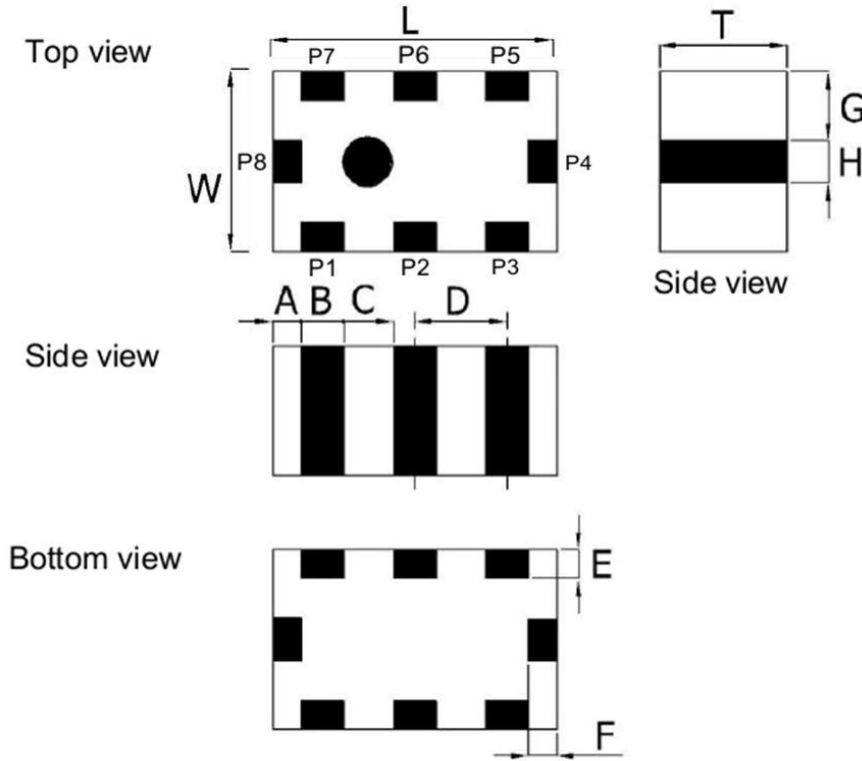
Issued on February 27, 2024

1. Type No.

PMDR80031C0

RoHS Compliant Part

2. Dimension (Unit : mm)



Terminal	
P1	GND
P2	NC
P3	GND
P4	I / O
P5	GND
P6	NC
P7	GND
P8	I / O

Terminal Dimensions	
L	2.00±0.10
W	1.25±0.10
T	0.95±0.10
A	0.20±0.10
B	0.30±0.10
C	0.35±0.10
D	0.65±0.10
E	0.20±0.10
F	0.20±0.10
G	0.475±0.100
H	0.30±0.10

3. Electrical characteristics

Parameter	Specification	Typical	Unit	Remark
Frequency range	863 -960	-	MHz	
Nominal impedance	50	-	ohm	
Insertion Loss	at +25°C	0.7 Max.	0.46	dB
	at -40~+85°C	0.9 Max.	-	
VSWR	2.0 Max.	-	-	
Attenuation	1726 - 1856 MHz	46 Min.	55.3	dB
	2300 - 2400 MHz	46 Min.	55.2	
	2589 - 2784 MHz	50 Min.	53.2	
Power capacity	3 Max.	-	W	

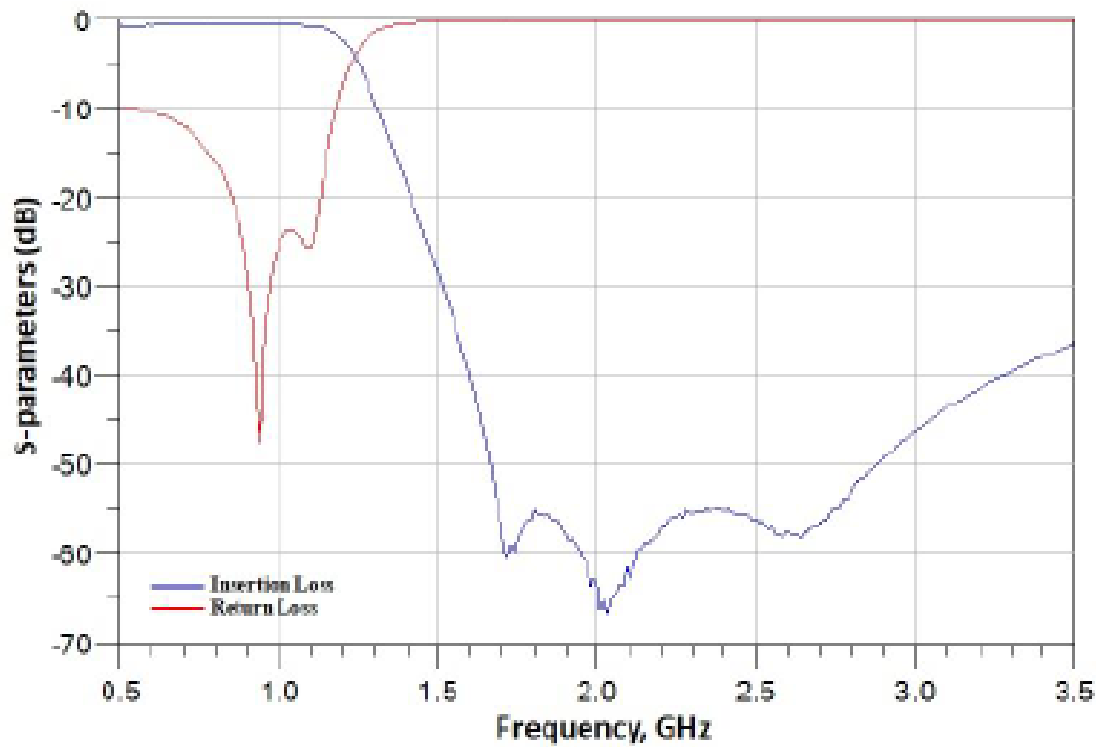
4. Note

- 4.1 Operating Temperature Range : -40 to +85°C
- 4.2 Storage Temperature Range before soldering in taping package : +5 to +40°C
- 4.3 Standard Reel Quantity : 2,000 pcs per reel
- 4.4 MSL : 1
- 4.5 This components are produced by OEM in PSA group.(Made in Taiwan)

Approved by	Confirmed by	Raised by
Y.Imai	S.Suzuki	R.Takahashi

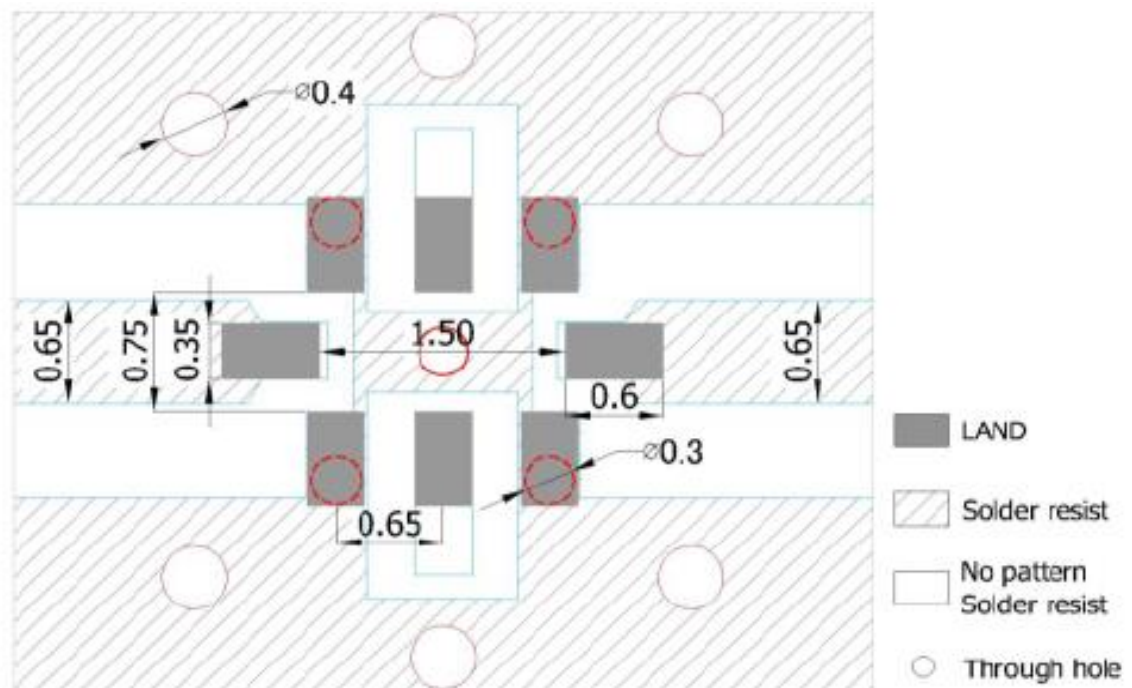
SOSHIN ELECTRIC CO., LTD

5.Representative characteristics



6.Recommendation Land Pattern (Unit:mm)

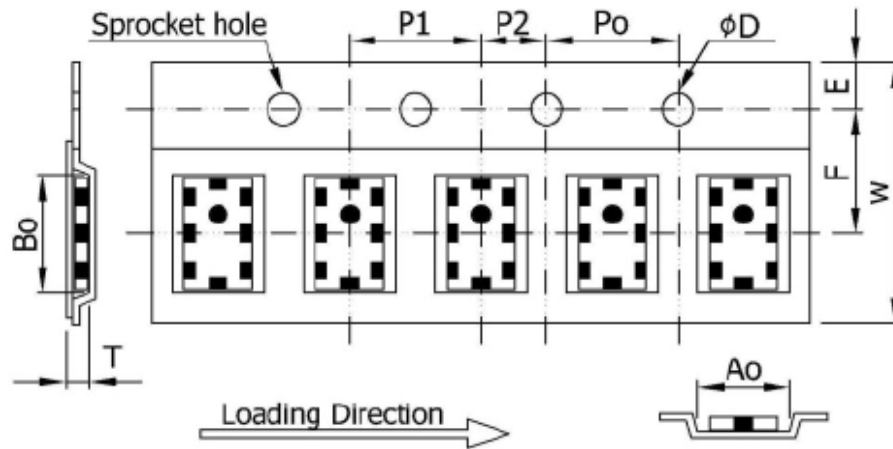
Land Pattern



Unit : mm

Line width to be designed to match 50 Ω characteristic impedance, depending on PCB material and thickness.

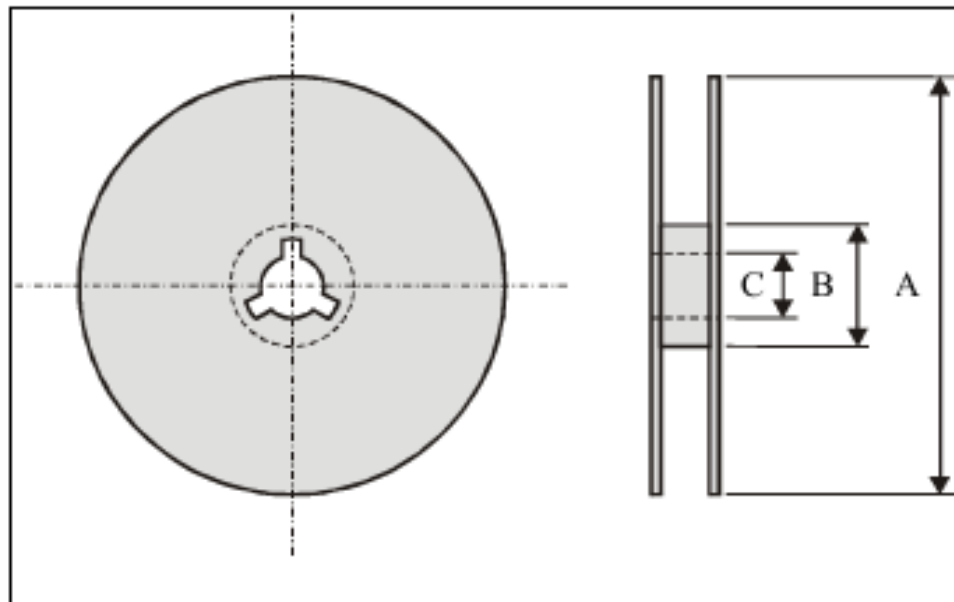
7.1 Dimensions of the carrier tape



Black conductive Tape specifications (unit :mm)

Index	A ₀	B ₀	φD	T	W
Dimension (mm)	1.30 ± 0.10	2.25 ± 0.10	1.55 ± 0.05	1.10 ± 0.10	8.00 ± 0.10
Index	E	F	P ₀	P ₁	P ₂
Dimension (mm)	1.75 ± 0.10	3.50 ± 0.05	4.00 ± 0.10	4.00 ± 0.10	2.00 ± 0.05

7.2 Carrier tape reel dimensions



Index	A	B	C
Dimension (mm)	φ178.0	φ60.0	φ13.0