

RC9129ZZ Series

带有安装脚的U字型铁氧体磁芯



用途

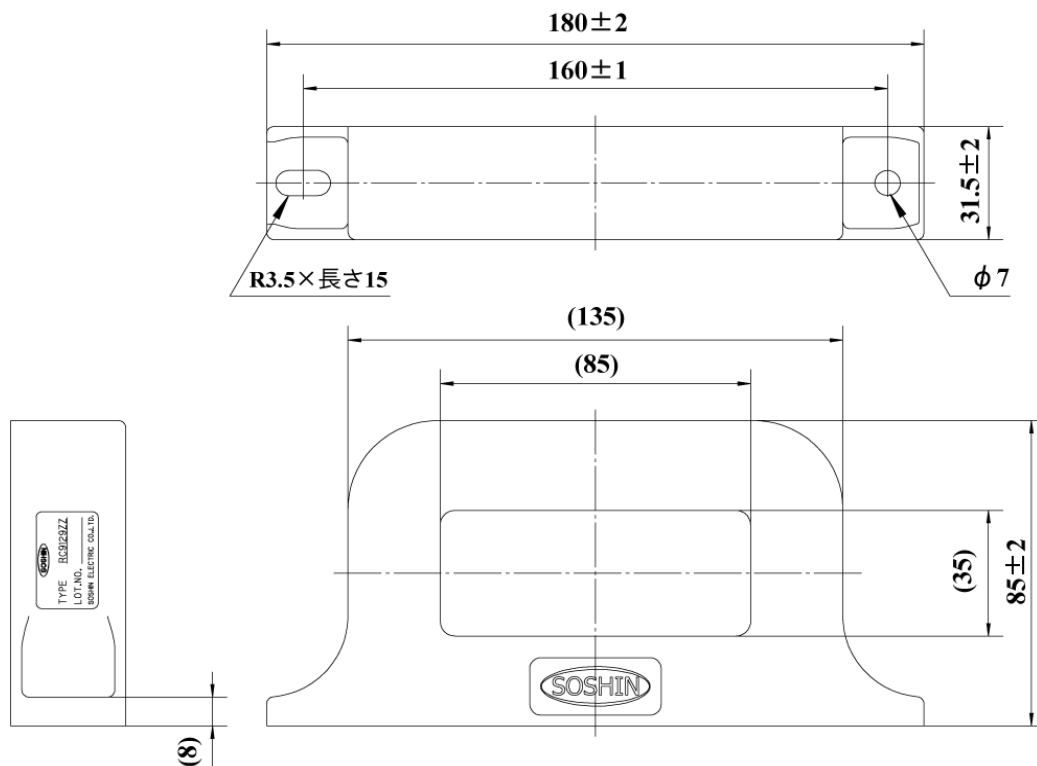
信号线路、开关电源、逆变器设备等

规格

Measurement temperature 23+/-2Deg.C	
Type	100KHz(uH)
RC9129ZZ	3.7-8.3

Note: Measured by YHP manufactured multi-frequency LCR meter 4284A or equivalent.
Condition for the measurement f=100KHz, 1T 10mA through.

形状图



RC9129ZZ(4T)

