

NF3000C-VZF Series (RoHS认证产品)

三相三线式 500VAC

书状, 宽带高衰减型



UL1283 (file No.E102708)
EN60939-2 (file No.R50031313)

用途

传送通信装置、通用变频器、UPS、CVCF以及VWVF等

规格

| Part No. | Rated Current | Weight | Dimensions [mm] | | | | | | | | | | | | | | | | | | |
|-----------------|---|--------|-----------------|-----|-----|-----|-------|-----|-----|-------|---------|----|-----|----|-----|----|----|----|----|------|------|
| | | | A | B | C | D | E | F | G | H | J | K | L | M | N | P | Q | R | S | T | |
| NF3010C-VZF | 10A | 0.5Kg | 128 | 118 | 108 | 63 | 43 | 42 | 1 | 4.5x6 | dia.4.5 | M4 | M4 | 21 | 88 | 21 | 19 | 35 | 10 | 2 | fig1 |
| NF3020C-VZF | 20A | 0.5Kg | 128 | 118 | 108 | 63 | 43 | 42 | 1 | 4.5x6 | dia.4.5 | M4 | M4 | 21 | 88 | 21 | 19 | 35 | 10 | 2 | |
| NF3030C-VZF | 30A | 0.7Kg | 145 | 135 | 125 | 70 | 50 | 42 | 1 | 4.5x6 | dia.4.5 | M4 | M4 | 25 | 103 | 22 | 20 | 35 | 10 | 2 | |
| NF3040C-VZF | 40A | 1.3Kg | 179 | 167 | 155 | 90 | 70 | 54 | 1.6 | 4.5x6 | dia.4.5 | M5 | M4 | 32 | 131 | 25 | 23 | 45 | 14 | 3 | |
| NF3050C-VZF | 50A | 1.3Kg | 179 | 167 | 155 | 90 | 70 | 54 | 1.6 | 4.5x6 | dia.4.5 | M5 | M4 | 32 | 131 | 25 | 23 | 45 | 14 | 3 | |
| NF3060C-VZF | 60A | 1.5Kg | 179 | 167 | 155 | 90 | 70 | 54 | 1.6 | 4.5x6 | dia.4.5 | M5 | M4 | 32 | 131 | 25 | 23 | 45 | 14 | 3 | fig2 |
| NF3080C-VZF | 80A | 3.0Kg | 260 | 245 | 230 | 189 | 144.5 | 120 | 90 | 80 | 61 | 12 | 6.5 | M8 | M5 | - | - | - | - | - | |
| NF3100C-VZF | 100A | 3.0Kg | 260 | 245 | 230 | 189 | 144.5 | 120 | 90 | 80 | 61 | 12 | 6.5 | M8 | M5 | - | - | - | - | - | fig3 |
| NF3150C-VZF | 150A | 5.5Kg | 285 | 270 | 255 | 216 | 171 | 170 | 100 | 105 | 89 | 67 | 6.5 | M8 | M8 | - | - | - | - | - | |
| NF3200C-VZF | 200A | 10Kg | | | | | | | | | | | | | | | | | | fig4 | |
| NF3250C-VZF | 250A | 11Kg | | | | | | | | | | | | | | | | | | | |
| NF3300C-VZF | 300A | 12Kg | | | | | | | | | | | | | | | | | | | |
| NF3400C-VZF | 400A | 18Kg | | | | | | | | | | | | | | | | | | | |
| Rated Voltage | 10-150A:500VAC,200-400A:480VAC | | | | | | | | | | | | | | | | | | | | |
| Leakage Current | 10-150A: 3.0mA/200-400: 10mA | | | | | | | | | | | | | | | | | | | | |
| Ambient temp. | -20 up to 50 Deg.C (TUV : -20 up to 60 Deg.C) | | | | | | | | | | | | | | | | | | | | |

fig.1 (10-60A)

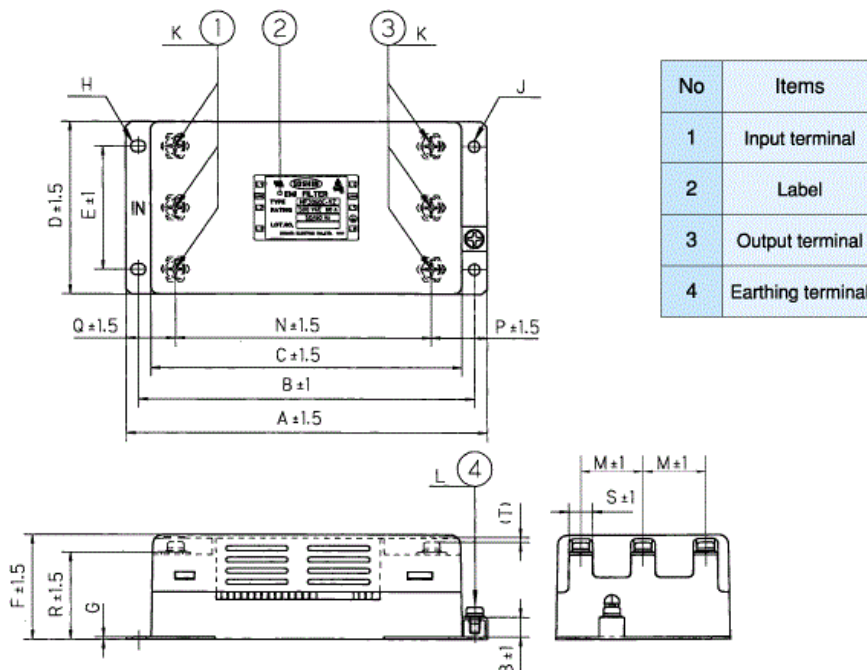


fig.2 (80, 100A)

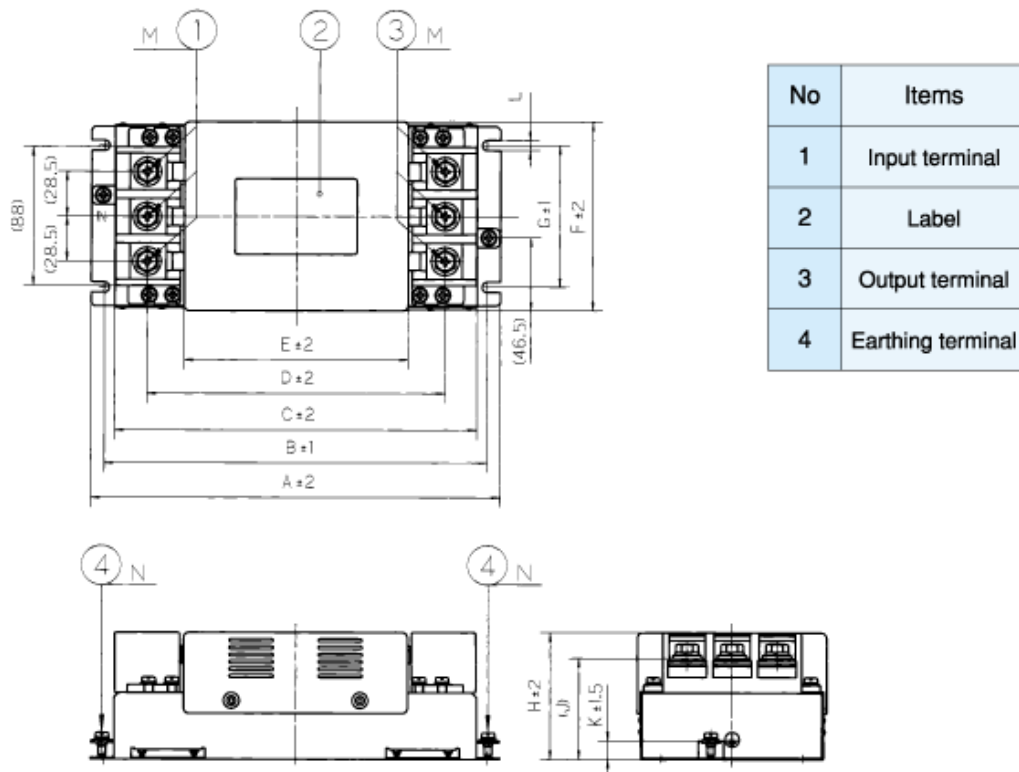


fig.3 (150A)

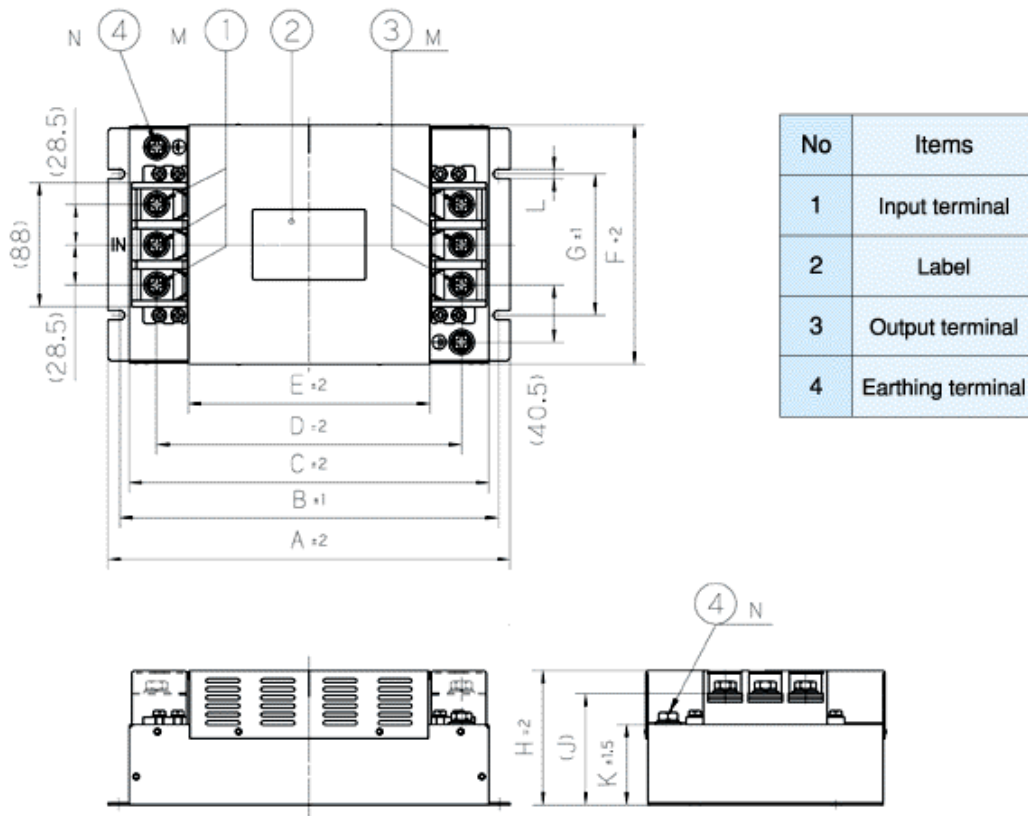
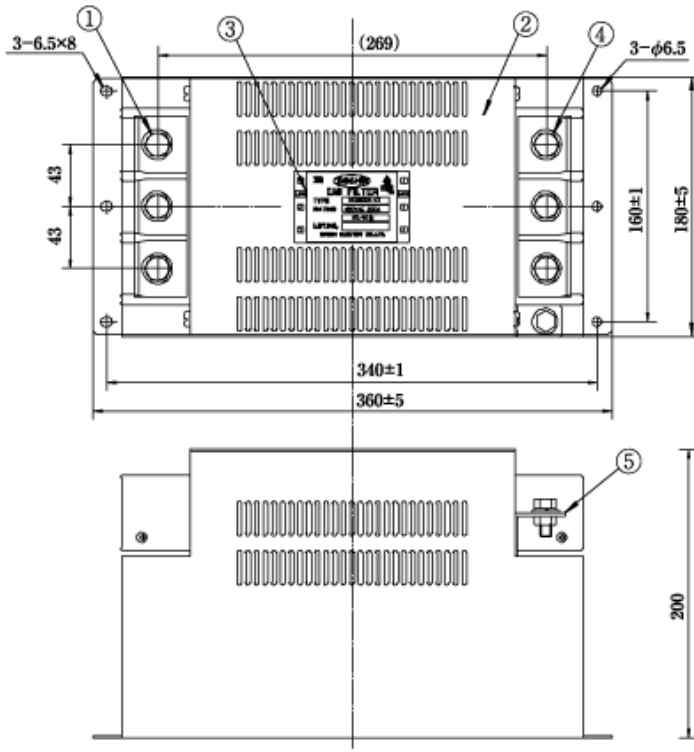
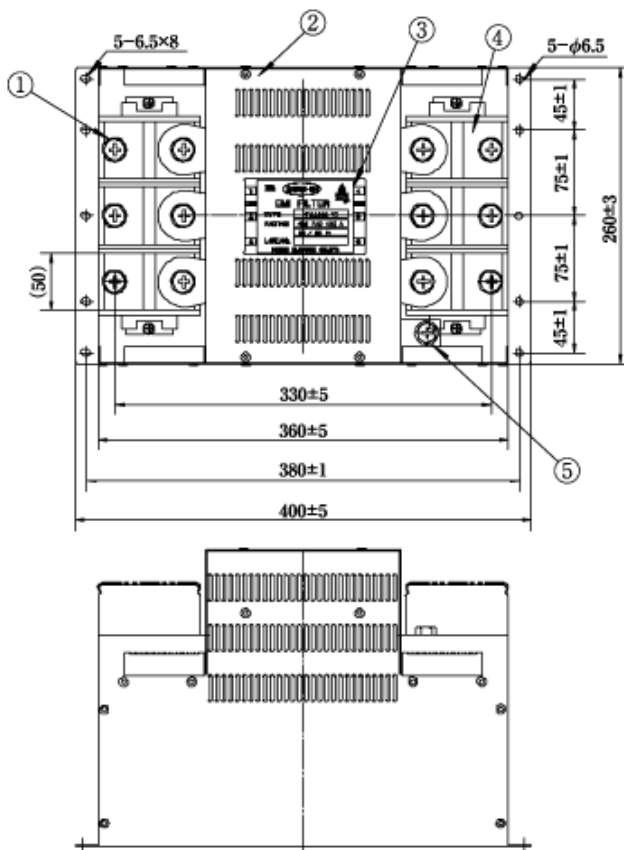


fig.4 (200, 250, 300A)

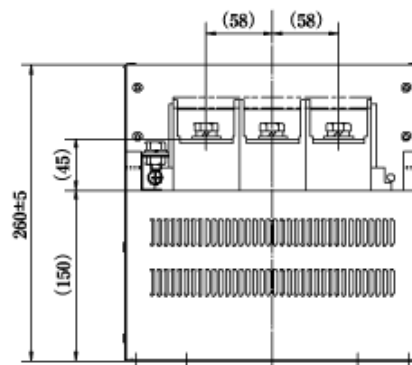


| No | Item | Notes |
|----|-------------------|-------|
| ① | Input terminal | M10 |
| ② | Metal case | |
| ③ | Label | |
| ④ | Output terminal | M10 |
| ⑤ | Earthing terminal | M8 |

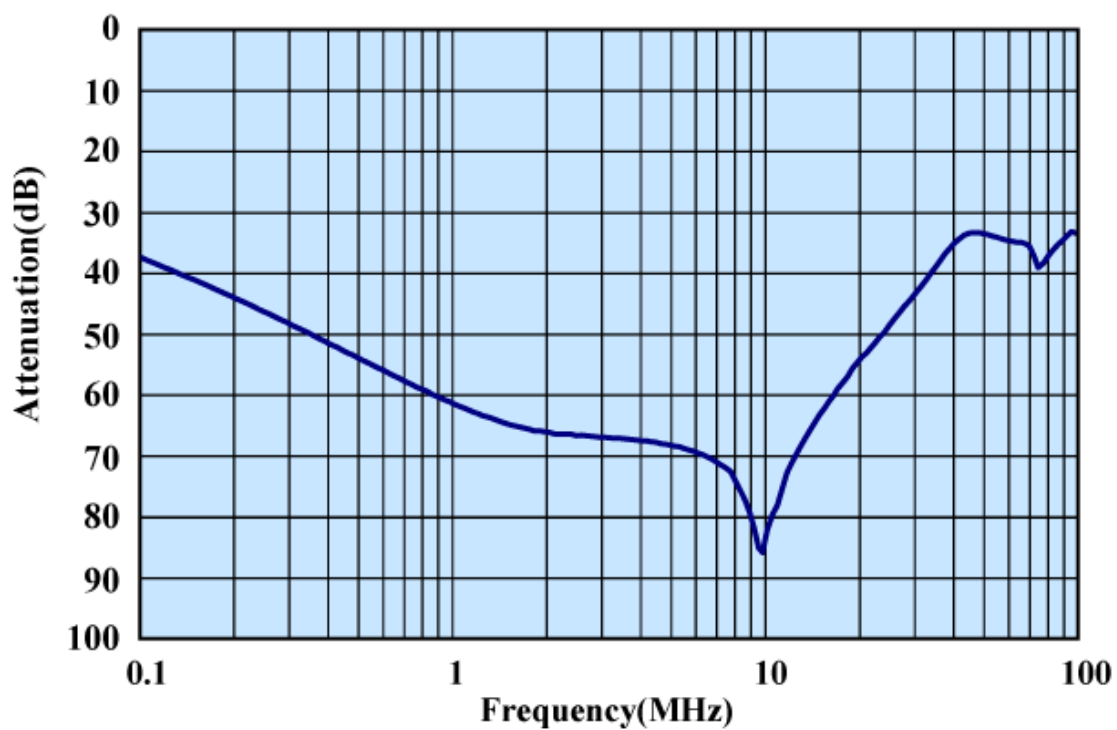
fig.5 (400A)



| No | Item | Notes |
|----|-------------------|-------|
| ① | Input terminal | M12 |
| ② | Metal case | |
| ③ | Label | |
| ④ | Output terminal | M12 |
| ⑤ | Earthing terminal | M10 |



代表特性 (50A)



代表特性 (100A)

