

# Product Information

Control No. : ARP-4616000-J 1

Issued on January 25, 2022

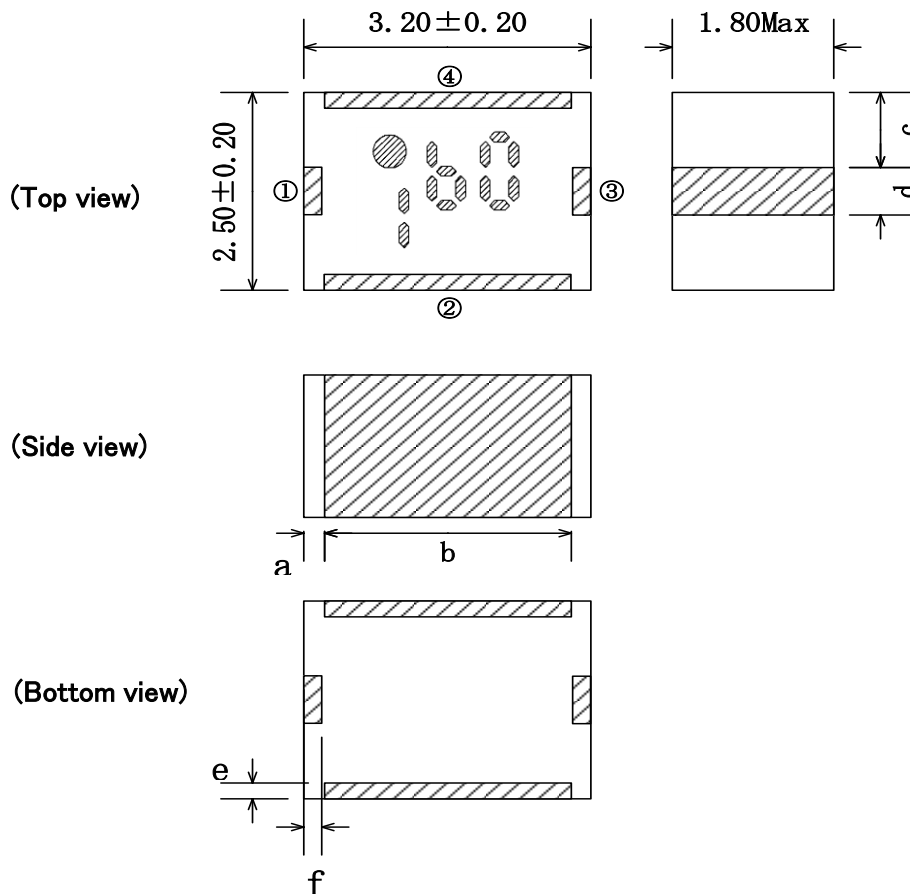
## Application : Wi-Fi 6E

Measured Data

1. Type No.  
HMD6160L - T

RoHS Compliant Part

2. Dimension (Unit : mm)



Terminal	
①	Input
②	GND
③	Output
④	GND

Terminal Dimensions	
a	0.225Typ.
b	2.75 ± 0.20
c	0.95Typ.
d	0.60 ± 0.10
e	0.20Typ.
f	0.20Typ.

3. Electrical characteristics

Pass band	Target spec. at 25°C	Measured	Unit	Remark
Nominal impedance	50	-	ohm	
Pass band frequency	5170-5835	-	MHz	
Insertion Loss	2.50 Max.	1.19	dB	
Ripple	2.00 Max.	0.75	dB	
V.S.W.R. in pass band	2.00 Max.	1.50	-	

Attenuation	Target spec. at 25°C	Measured	Unit	Remark
2400 MHz - 2500 MHz	25 Min.	32	dB	
6095 MHz - 7125 MHz	30 Min.	33	dB	
10340 MHz - 11670 MHz	20 Min.	46	dB	

4. Note

- 4.1 Operating Temperature Range : -40 to +85 deg.C  
 4.2 Storage Temperature Range before soldering in taping package : -20 to +35 deg.C  
 4.3 Standard Reel Quantity : 2000 pcs (per reel, per bag)

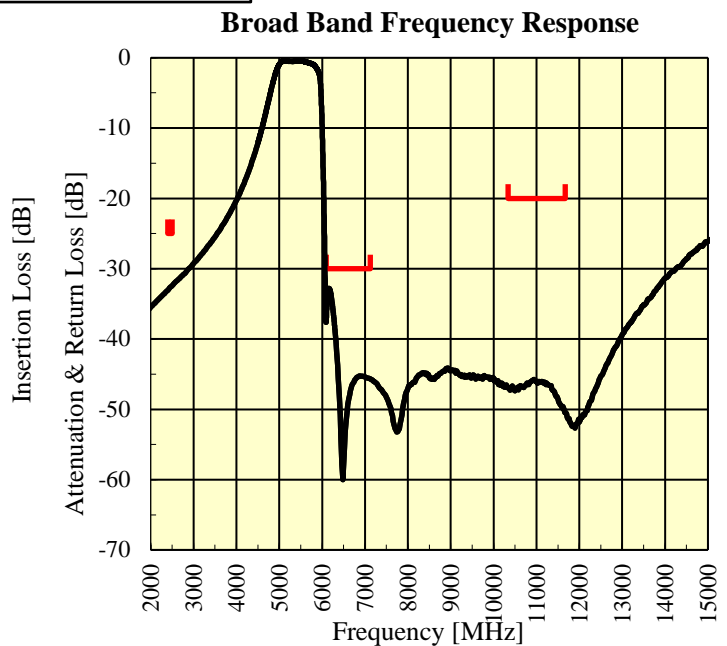
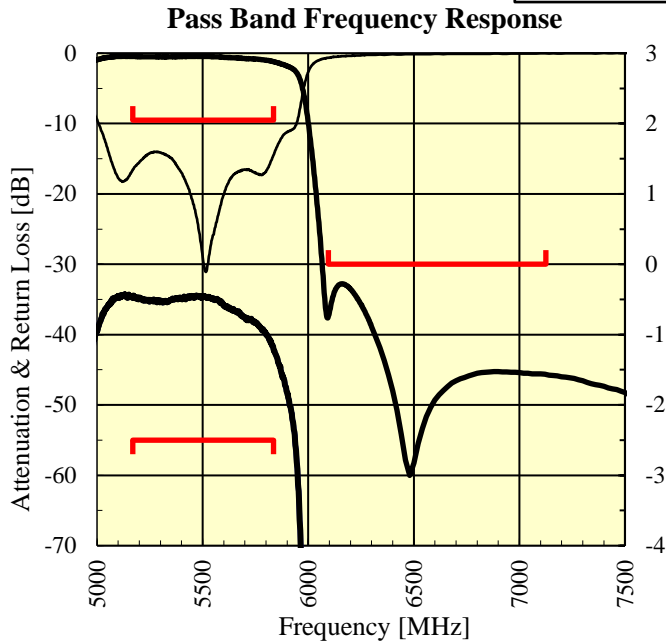
Approved by	Confirmed by	Raised by
Y. Imai	Y. Miyata	S. Suzuki

SOSHIN ELECTRIC CO., LTD

## 5. Representative characteristics

— Target Specification(\*)  
— Measured

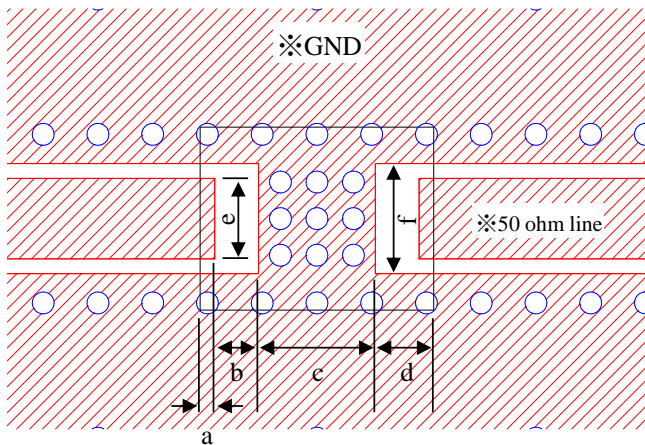
**Measured Data**



(\*) Specification is subject to change.

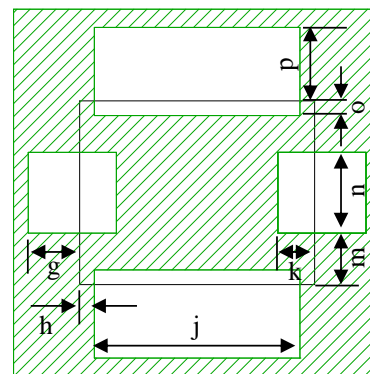
## 6. Recommended Land Pattern

### \*Land Pattern



a	0.200 mm	d	0.800 mm
b	0.600 mm	e	1.100 mm
c	1.600 mm	f	1.504 mm

### \*Resist Pattern



g	0.700 mm	m	0.700 mm
h	0.200 mm	n	1.100 mm
j	2.800 mm	o	0.200 mm
k	0.500 mm	p	1.000 mm