

# NF3000C-YXS Series (RoHS认证产品)

三相三线式 500VAC

省空間书状型


 UL1283 (file No.E102708)  
 EN60939-2 (file No.R50031207)

## 用途

 半导体制造装置、大型机床、通用逆变器、伺服等的应用装置、CVCF等的电源装置、  
 电梯电源、工厂电源等

## 规格

Part No.	Rated Current	Weight	Dimensions [mm]												
			A	B	C	D	E	F	G	H	J	K	L	M	
NF3010C-YXS	10A	0.5kg	110	100	50	40	95	M4	M4	M4	R2.25x6	dia.4.5	9	11	fig1
NF3020C-YXS	20A														
NF3030C-YXS	30A														
NF3040C-YXS	40A	0.8kg	128	120	65	55	95	M5	M5	M4	R2.25x6	dia.4.5	13	16	
NF3050C-YXS	50A														
NF3060C-YXS	60A														
NF3080C-YXS	80A	1.6kg	fig2												
NF3100C-YXS	100A														
NF3125C-YXS	125A	2.8kg	fig3												
NF3150C-YXS	150A														
NF3200C-YXS	200A	6.9kg	fig4												
NF3250C-YXS	250A														
NF3300C-YXS	300A														
Rated Voltage	500VAC max														
Leakage Current	10-150A : 5mA / 200-300A : 10mA max 400VAC 50Hz By UL1283														
Ambient temp.	-20 up to 50 Deg.C														

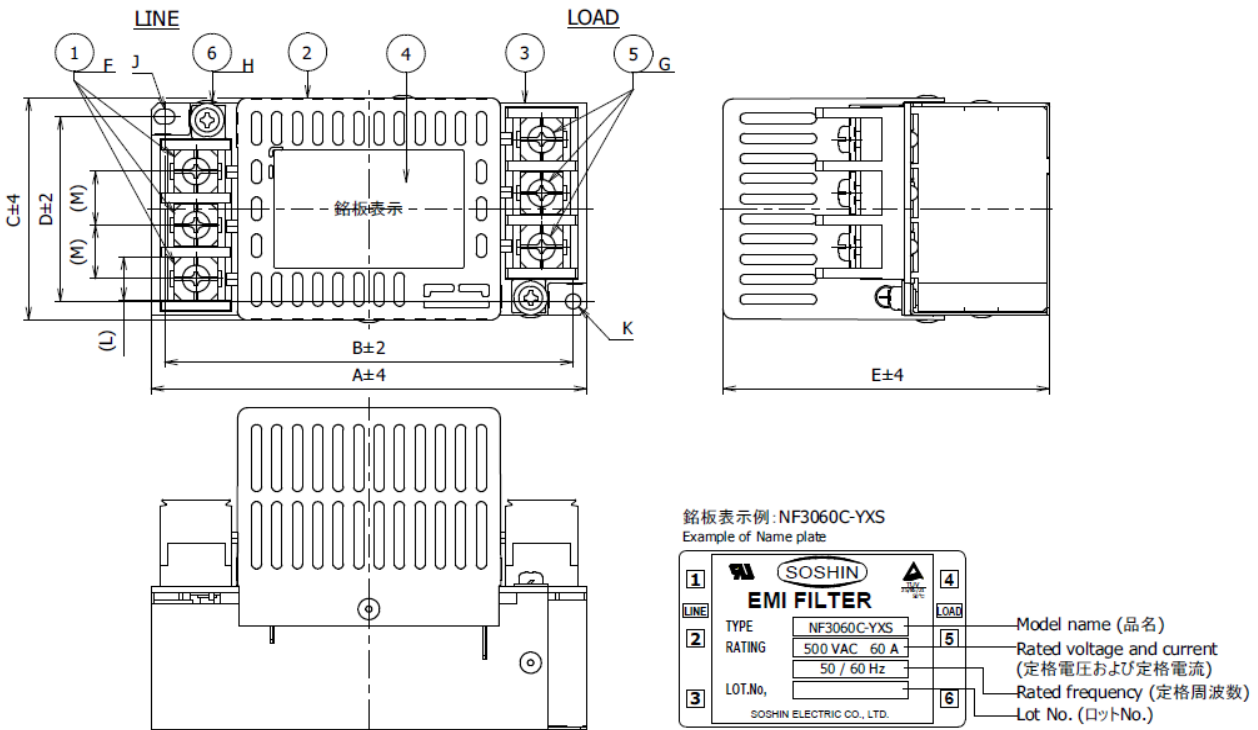
**fig.1 (10~60A)**


fig.2 (80, 100A)

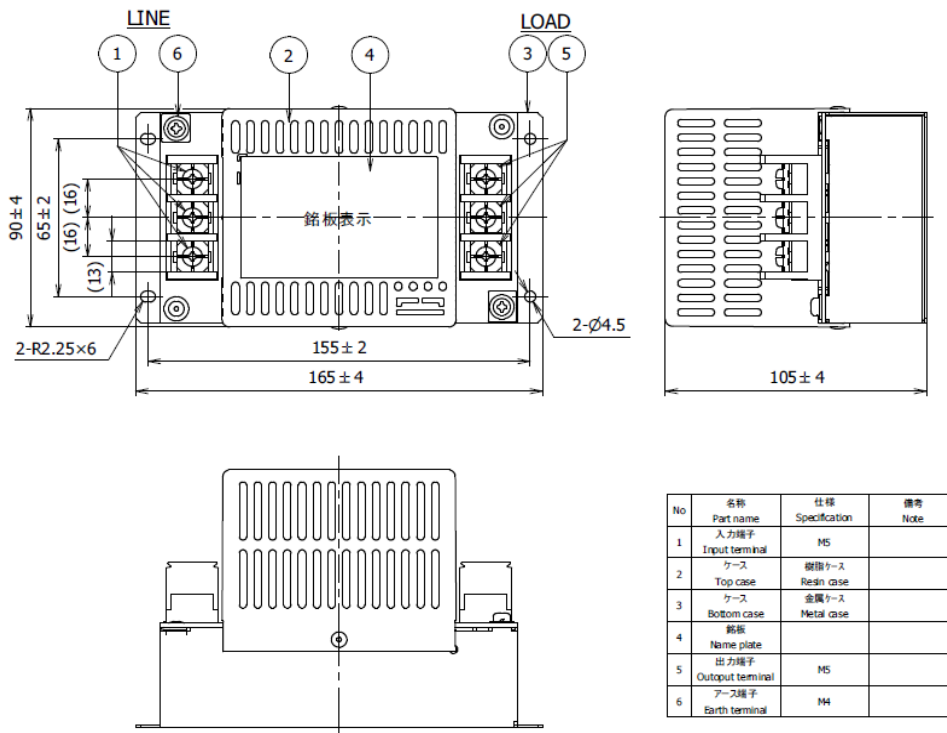


fig. 3 (125, 150A)

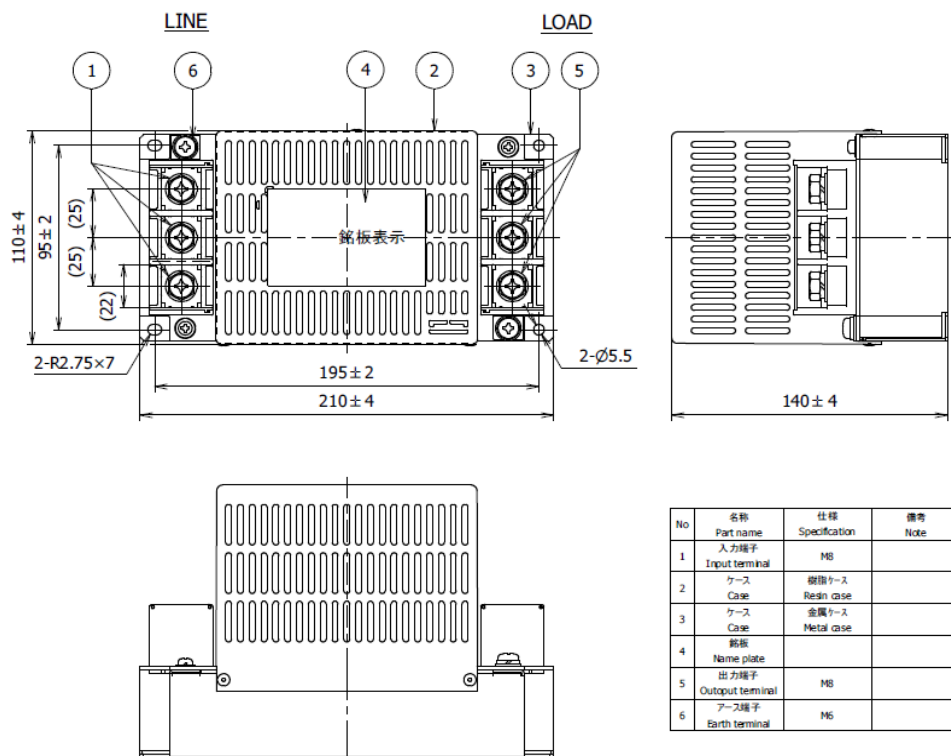
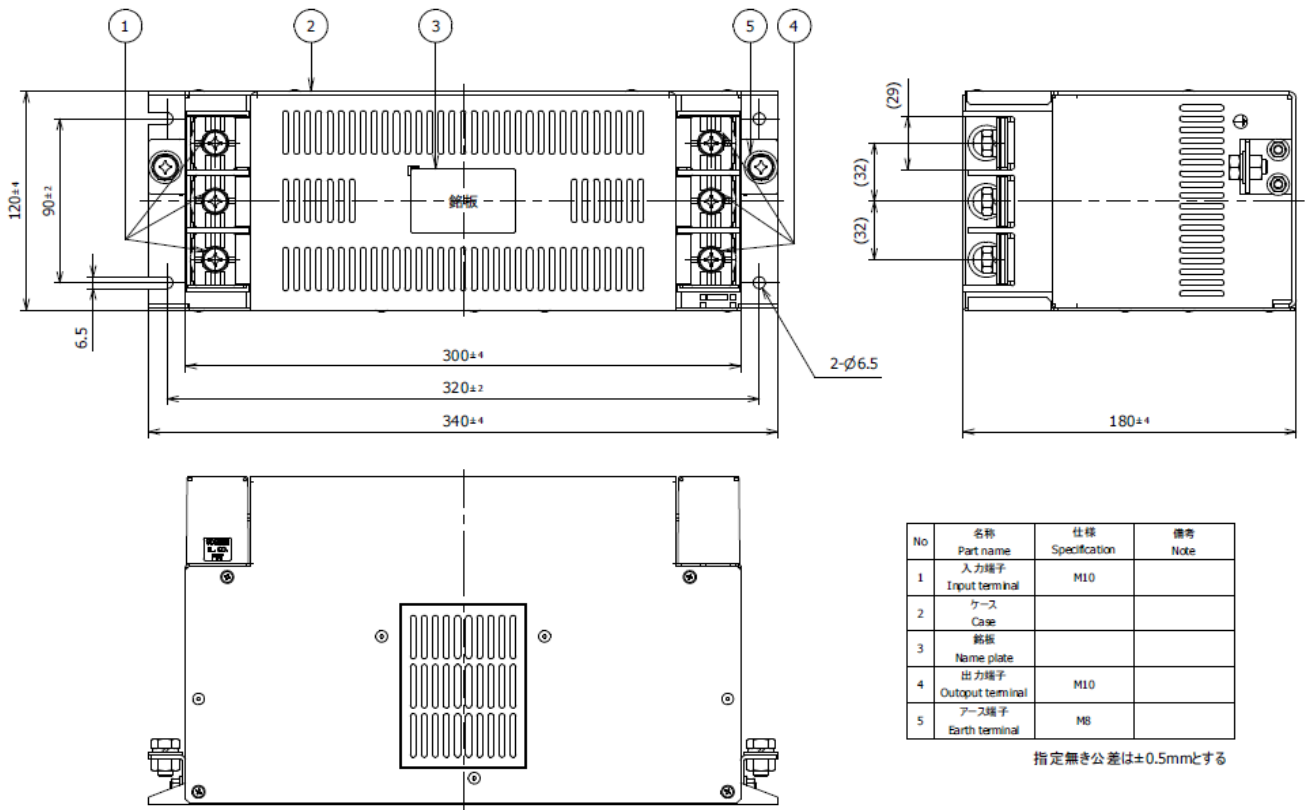
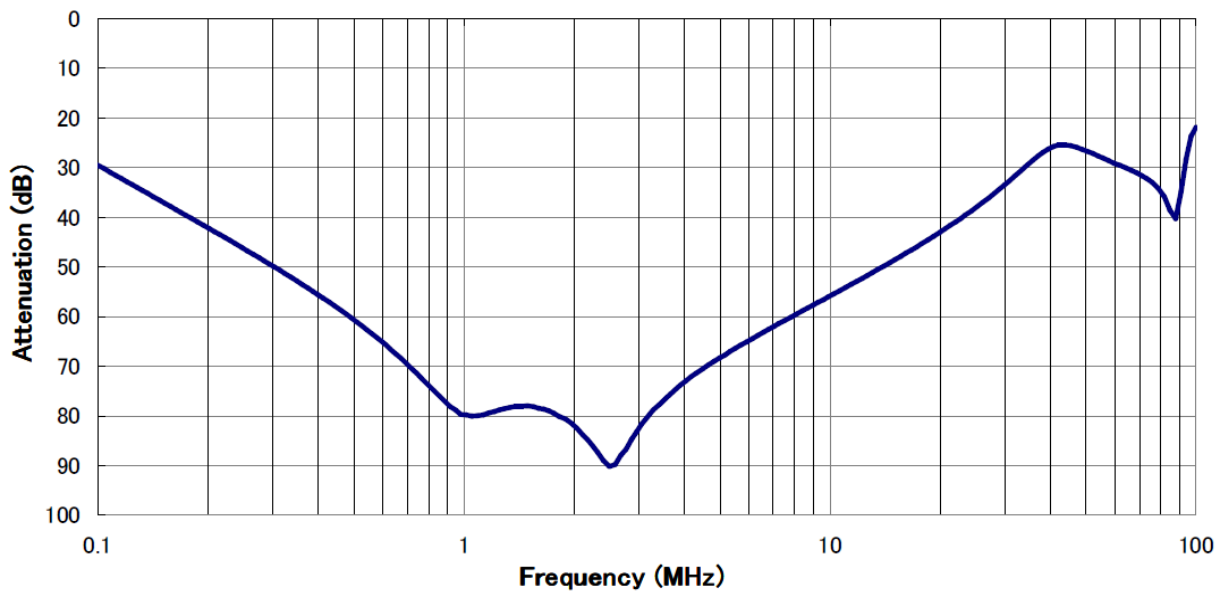


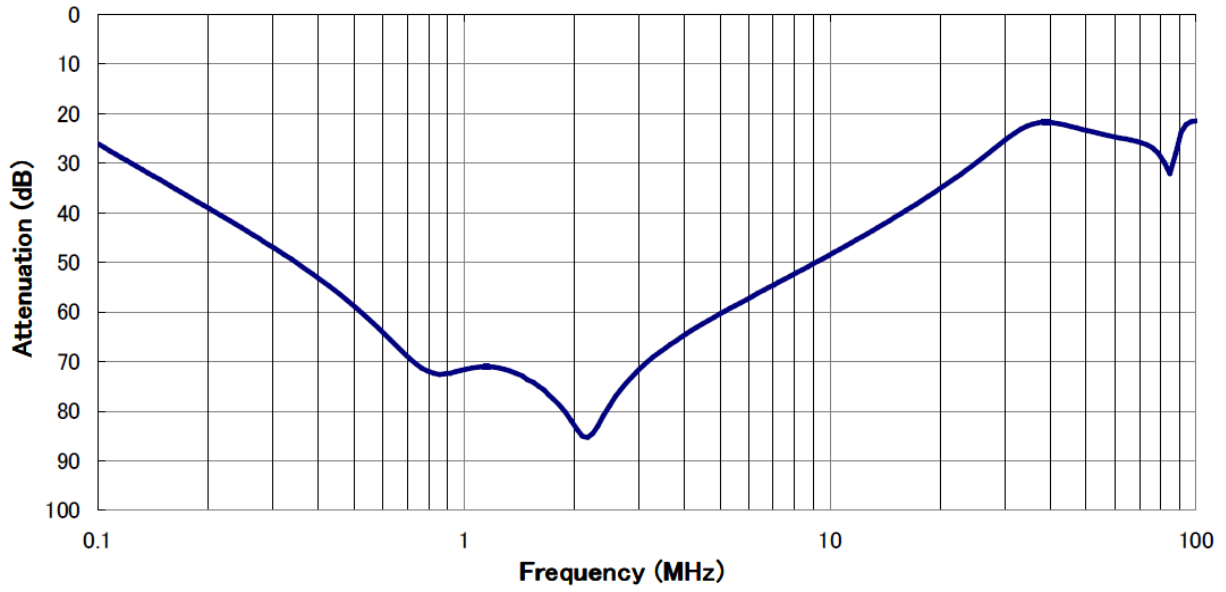
fig. 4 (200~300A)



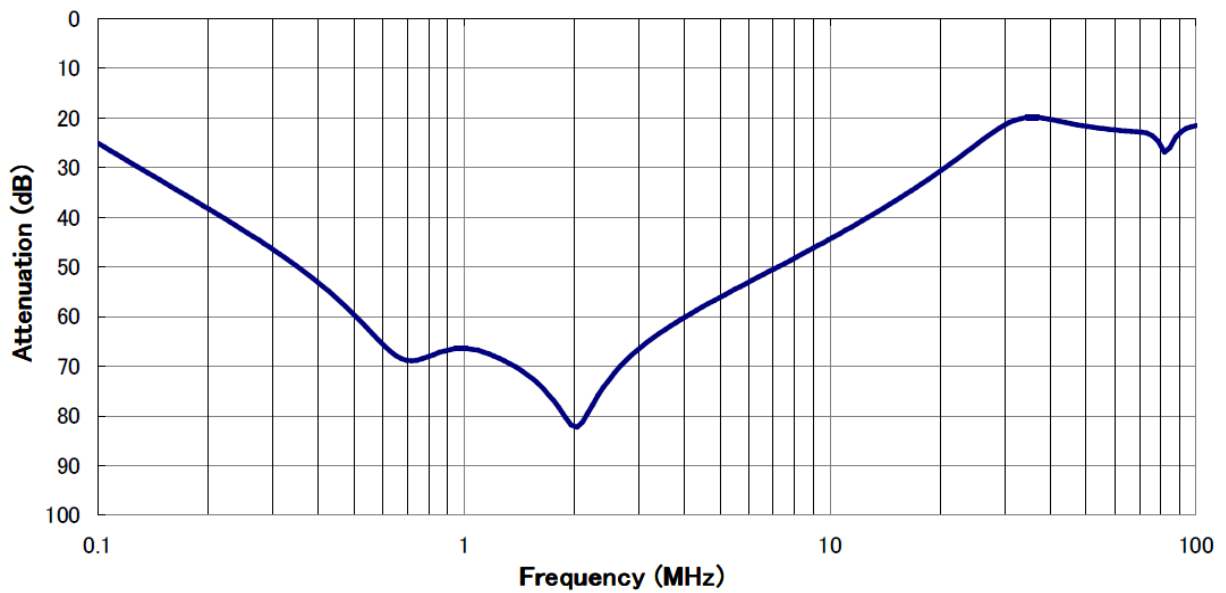
代表特性 (10, 20, 30A)



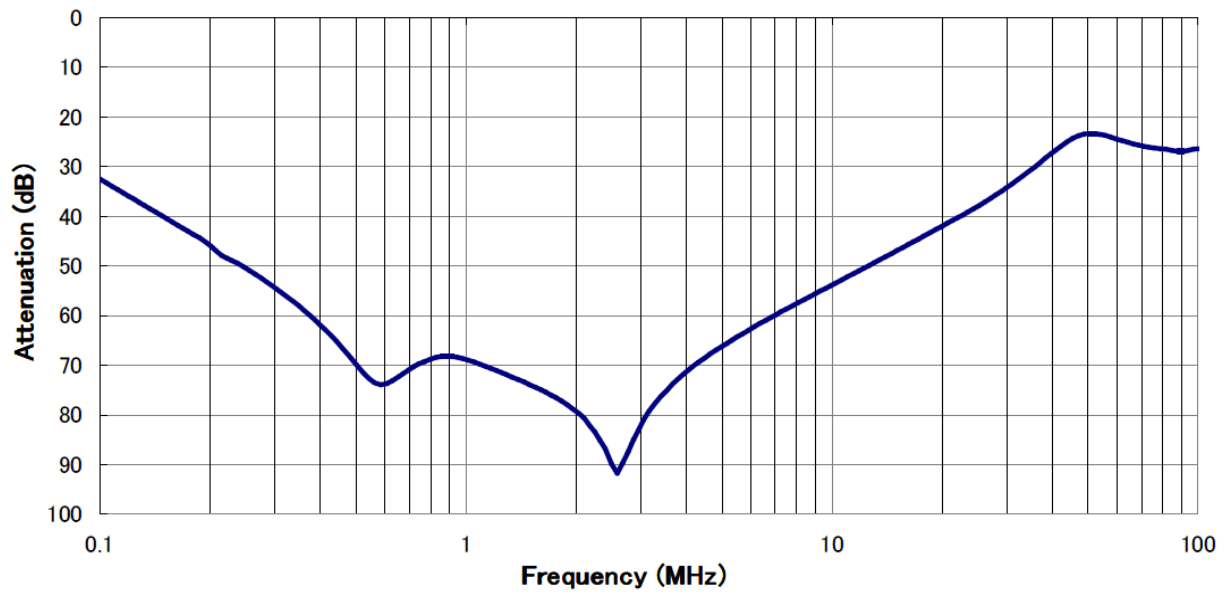
代表特性 (40, 50, 60A)



代表特性 (80, 100A)



## 代表特性 (125, 150A)



## 回路図

